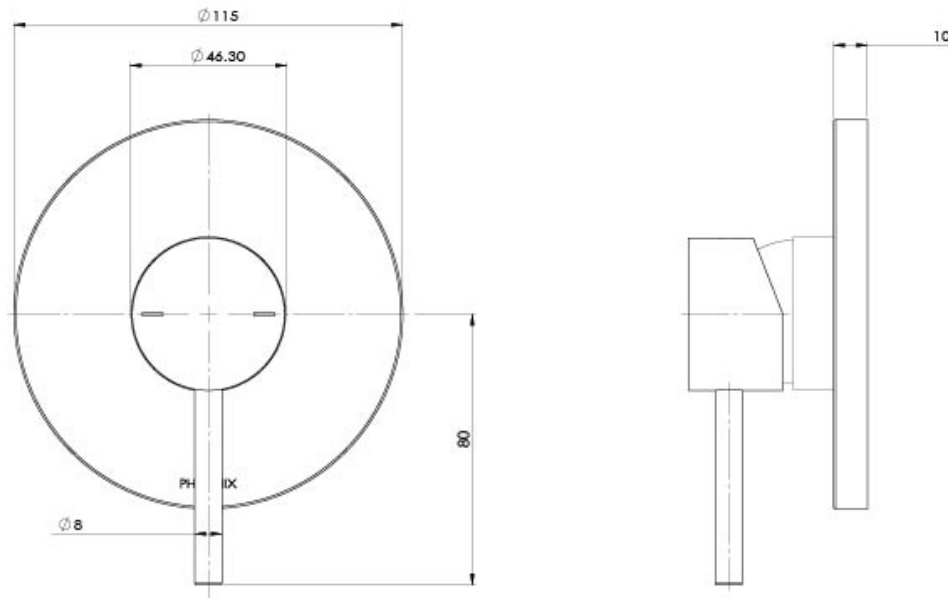


PINA

PINA SHOWER / WALL MIXER TRIM KIT ONLY

SPECIFICATIONS



AVAILABLE IN



153-7805-00
Chrome



153-7805-40
Brushed Nickel



153-7805-10
Matte Black

INFORMATION

Temperature Rating
1 - 75°C

Pressure Rating
150 - 500kPa



MAINTENANCE AND CARE:

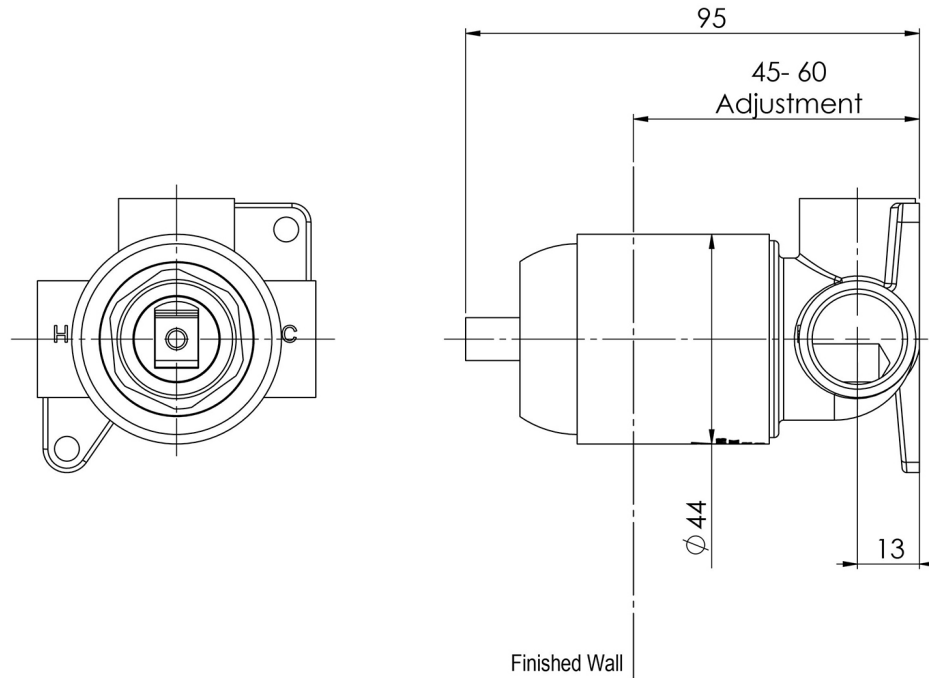
- All surfaces should be cleaned with mild liquid detergent or soap and water.
- Do not use cream cleaners or citrus based cleaning products, as they are abrasive.
- Use of unsuitable cleaning agents may damage the surface.
- Any damage caused in this way will not be covered by warranty.

Please visit <https://www.phoenixtapware.com.au/warranty> to view the full warranty

ARLO

BUILDERS SHOWER / WALL MIXER BODY ONLY

SPECIFICATIONS



AVAILABLE IN



150-7804-00
Chrome



150-7804-40
Brushed Nickel



150-7804-10
Matte Black

INFORMATION

Temperature Rating
1 - 75°C

Pressure Rating
150 - 500kPa



MAINTENANCE AND CARE:

- All surfaces should be cleaned with mild liquid detergent or soap and water.
- Do not use cream cleaners or citrus based cleaning products, as they are abrasive.
- Use of unsuitable cleaning agents may damage the surface.
- Any damage caused in this way will not be covered by warranty.

Please visit <https://www.phoenixtapware.com.au/warranty> to view the full warranty