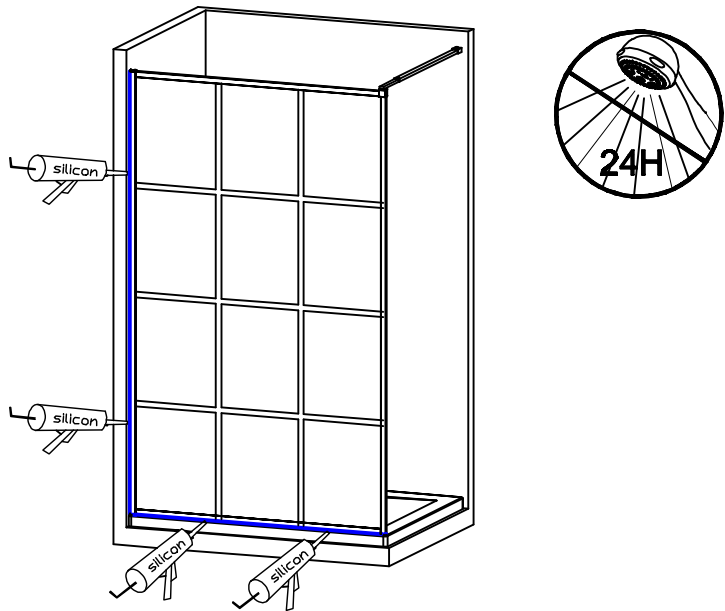
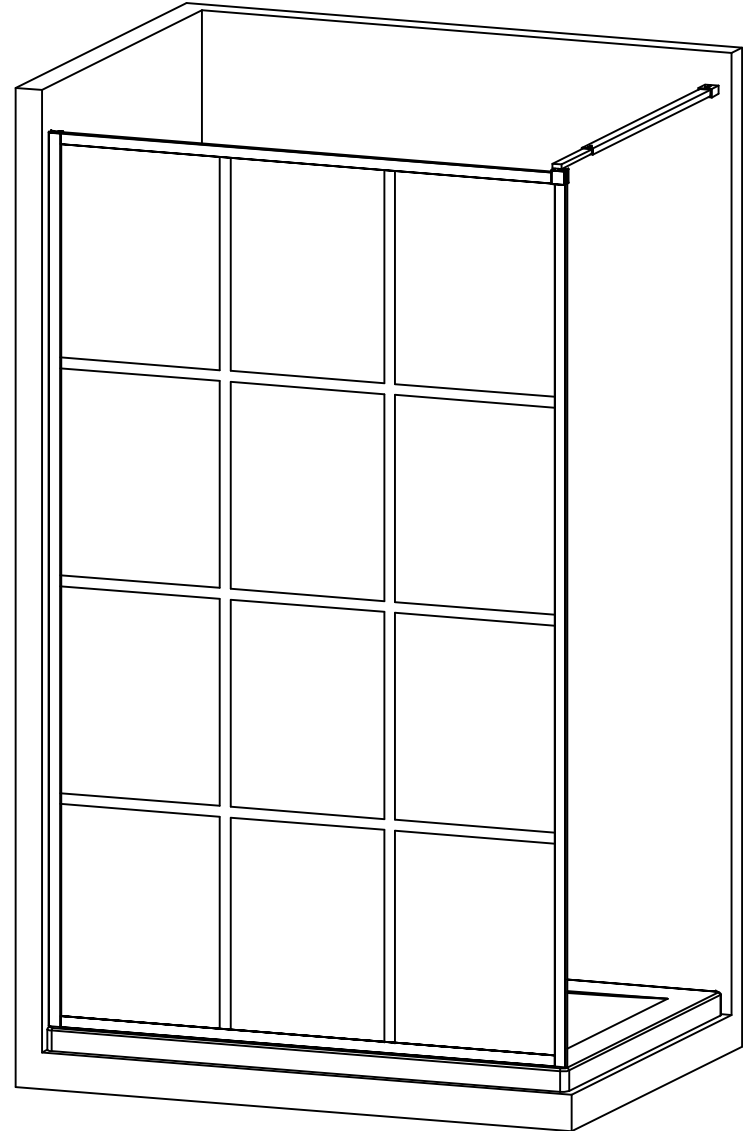
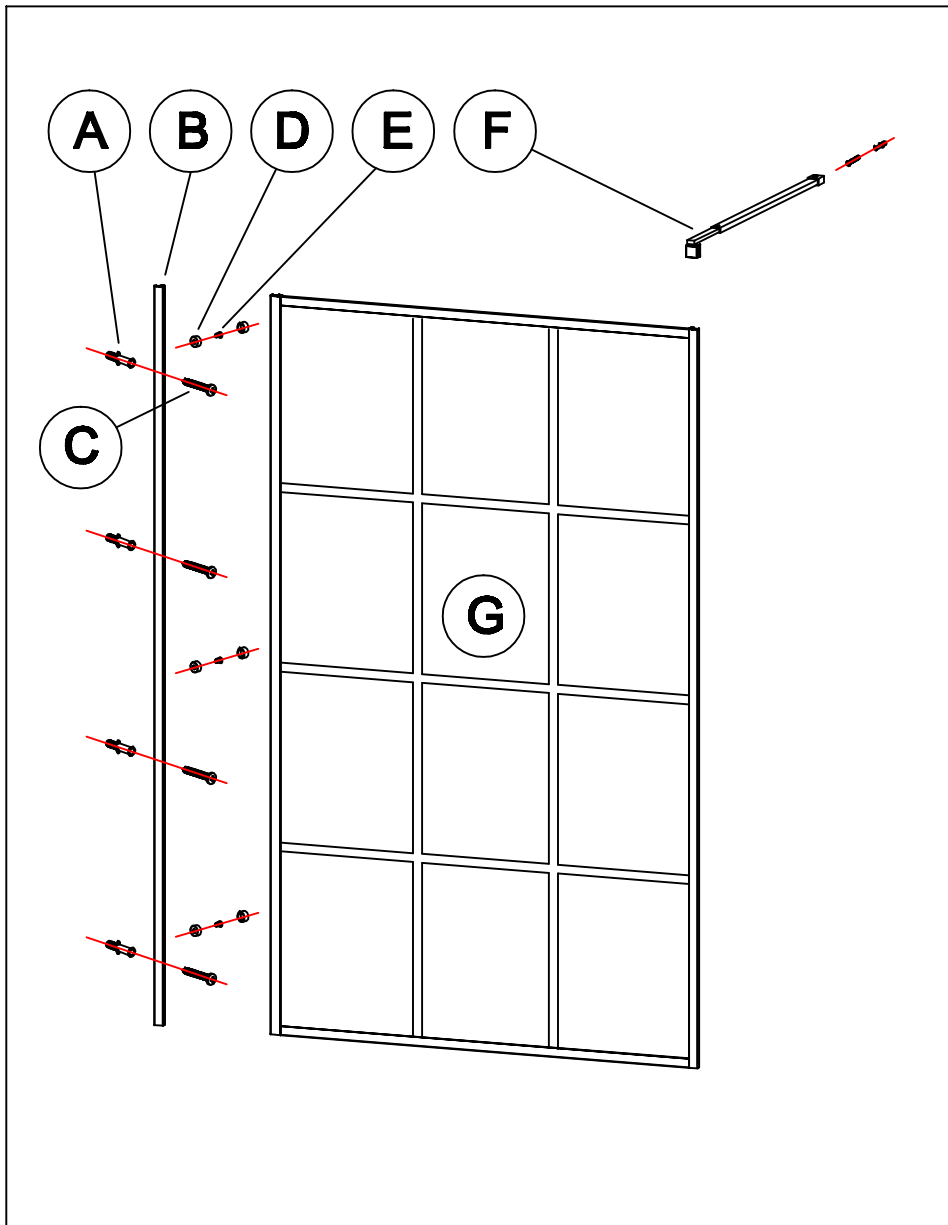







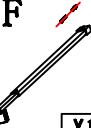
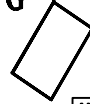
3

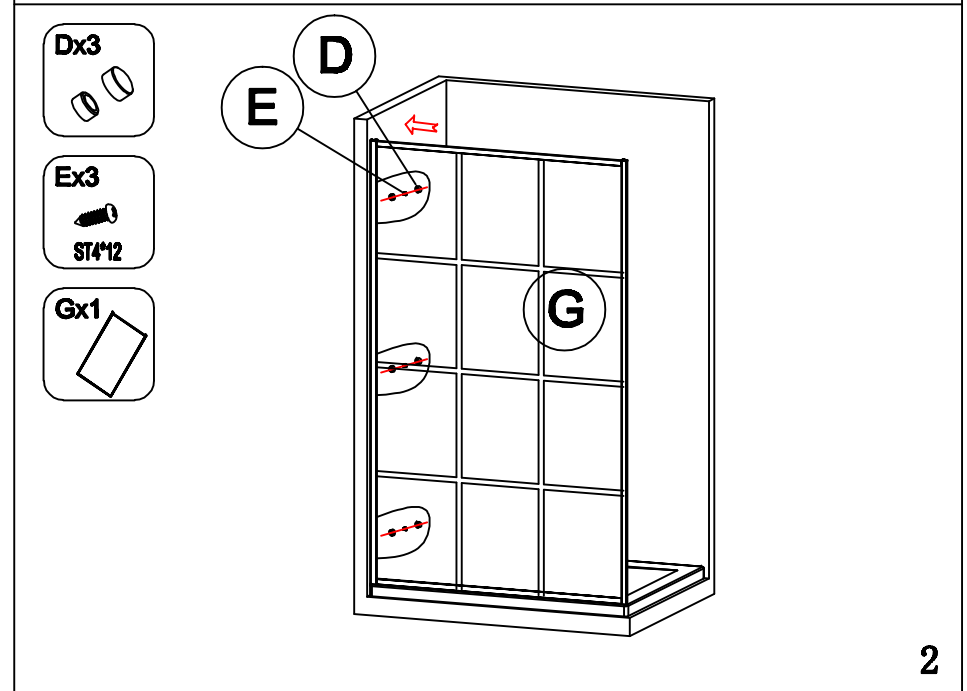
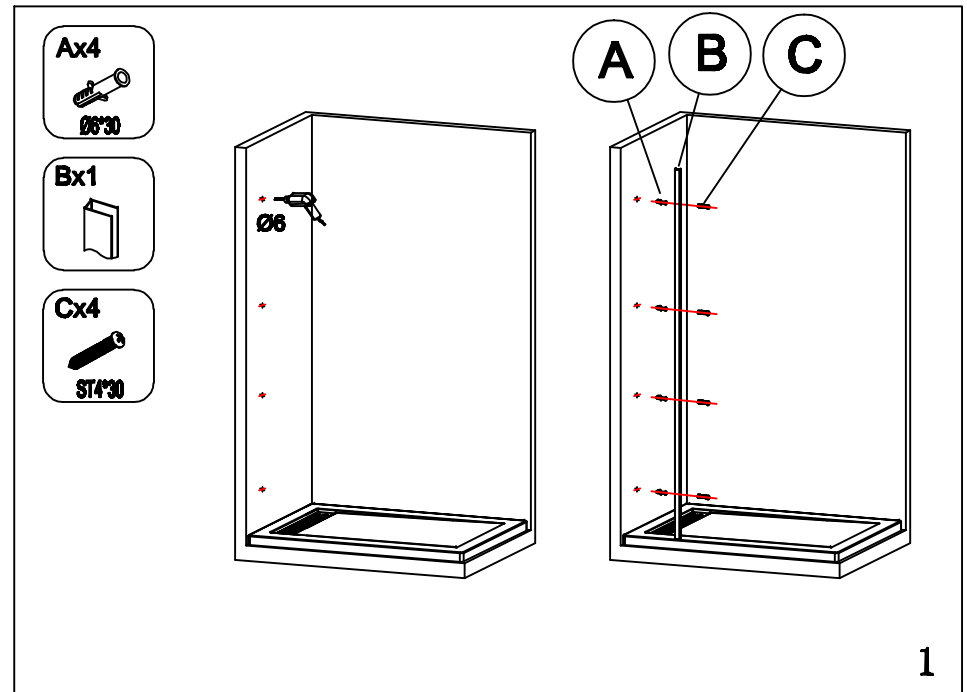


4





A  Ø6*30 X4	B  X1	C  ST4*30 X4	D  X3	E  ST4*12 X3	F  X1	G  X1
--	---	--	---	--	---	---



Ax4  Ø6*30
Bx1 
Cx4  ST4*30
Dx3 
Ex3  ST4*12
Gx1 

1

2