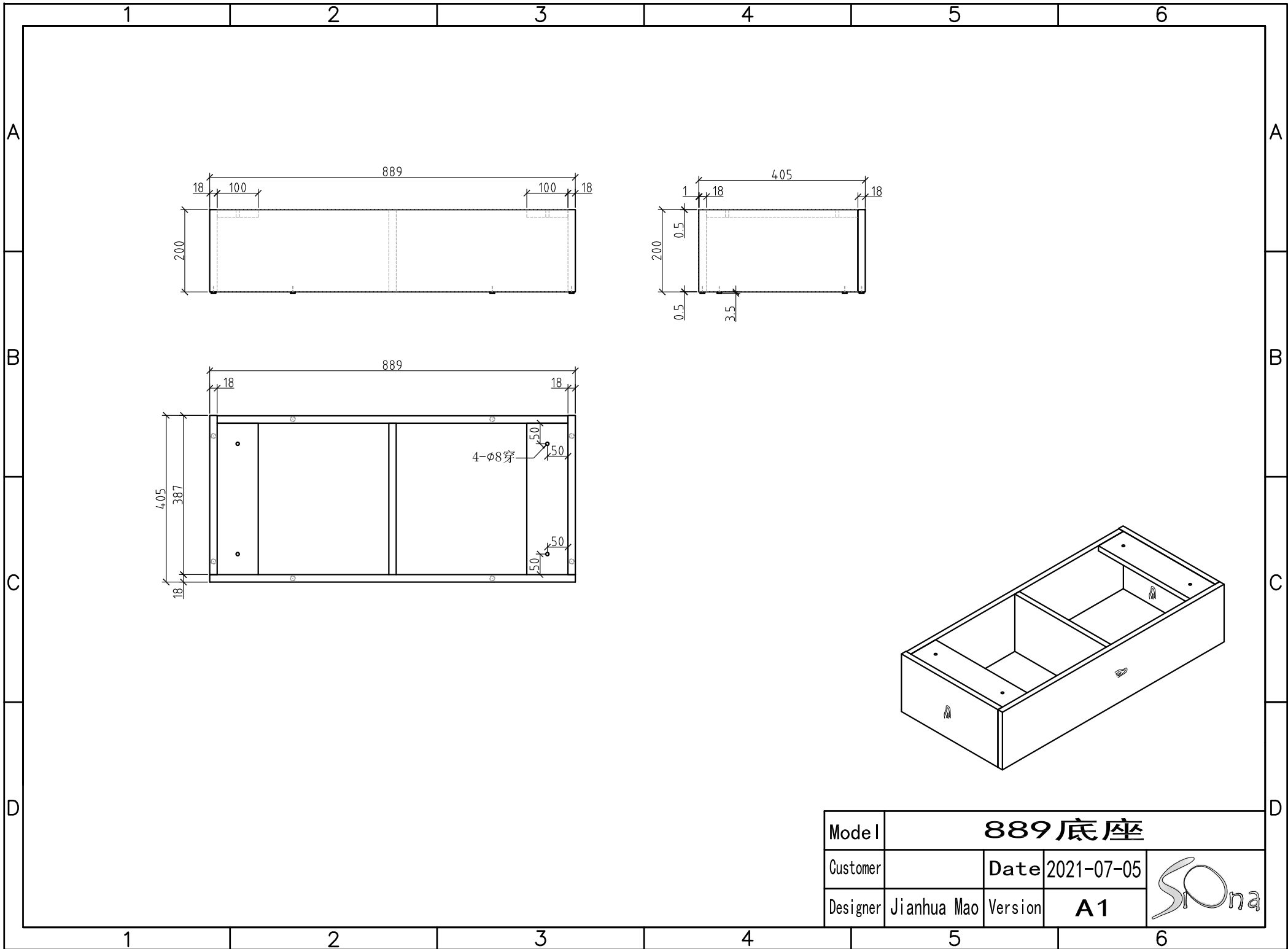


中板铣型尺寸

Model	890主柜		
Customer		Date	2021-07-14
Designer	Jianhua Mao	Version	A1





Model	889底座		
Customer		Date	2021-07-05
Designer	Jianhua Mao	Version	A1



