

BIANCA BASIN MIXER



SPECIFICATION

| | |
|--------------------|-----------------------|
| PRODUCT CODE | YSW3215-01 |
| WELS RATING | 5 STAR 5L/MIN |
| WATERMARK LICENSE | WM-060073 |
| TEMPERATURE RATING | MIN 1°C-MAX 75°C |
| PRESSURE RATING | MIN 150KPa-MAX 500KPa |

FINISH

| | |
|-------------|-------------------|
| NR321501CH | chrome |
| NR321501BRG | brushed rose gold |
| NR321501MB | matte black |
| NR321501BN | brushed nickel |
| NR321501GM | gun metal |
| NR321501BG | brushed gold |

MAINTENANCE AND CARE

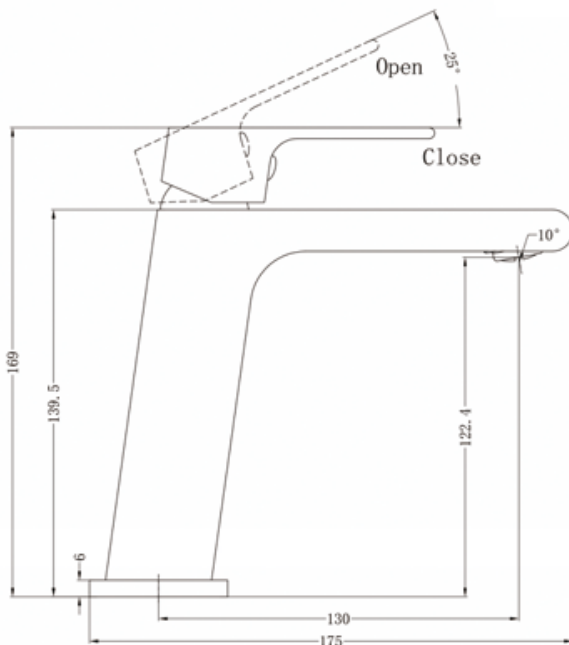
All surfaces should be cleaned with mild liquid detergent or soap and water.

Do not use cream cleaners or citrus based cleaning products, as they are abrasive.

Use of unsuitable cleaning agents may damage the surface. Any damage caused in this way will not be covered by warranty.

PACKAGING INCLUDES

- 1x basin mixer
- 2x flexible hose
- 1x threaded pipe
- 1x fixing nut
- 1x steel washer
- 1x rubber washer
- 1x fixing bolt (for fixing nut)
- 1x allen key

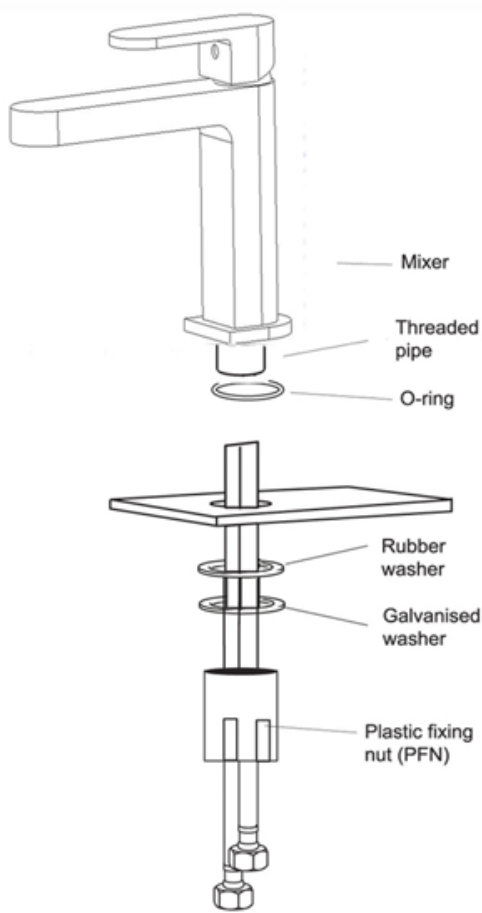


Dimensions are nominal measurements only.



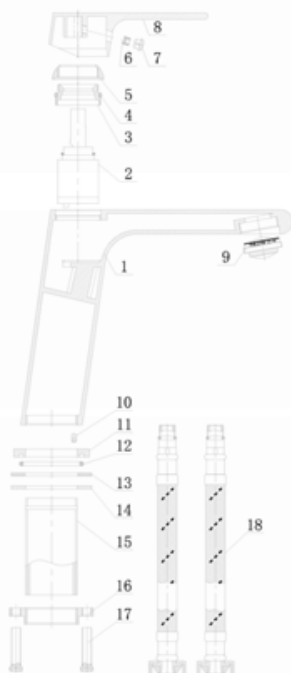
Versions: 2019.11.26

INSTALL INSTRUCTION



1. Fit the O-ring into the groove in the underside of the mixer body.
2. Screw the flexible hoses into the mixer body, and fully hand tighten.
3. Pass the tail of flexible pipes through the hole on the bench top from above, and place the mixer in position on the bench top. Inspect to see if any alteration to the existing supply pipe work is required. Make any necessary alterations.
4. Tighten the fixing nut to threaded pipes compressing the galvanised washer and rubber washer from the under-side of the counter.
5. Check that the mixer body is correctly positioned, fully tighten the fixing nut screw and fixing bolts firmly..
6. Connect the water supply pipes to the tail of flexible hoses with the hot water and cold water.
7. Test for any leaks.

EXPLOSIVE VIEW



- | | |
|--------------------|-------------------|
| 1. Body | 11. Base ring |
| 2. Cartridge | 12. O-ring |
| 3. Retaining nut | 13. Rubber washer |
| 4. O-ring | 14. Steel washer |
| 5. Cartridge cover | 15. Threaded pipe |
| 6. Grub screw | 16. Fixing nut |
| 7. Cap | 17. Fixing bolt |
| 8. Handle | 18. Flexible hose |
| 9. Aerator | |
| 10. Locating pin | |