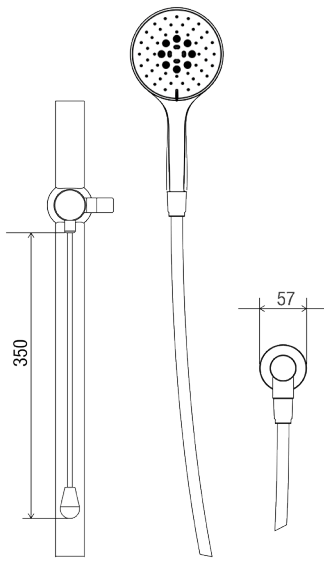
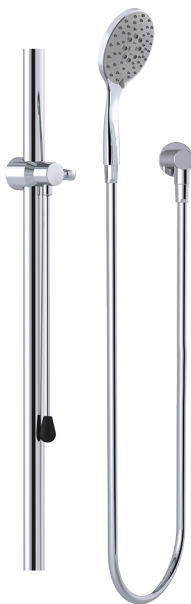


DIMENSIONS



INDICATIVE IMAGE



PUSH-PULLME® CRADLE WITH ROD SHOWER KIT

Product Code - Finish

- ID 01804S C - Chrome

Features

- ABS 130 mm multi-function shower
- 32 mm Push-Pullme® cradle with rod
- Rub-clean spray diffuser
- DR brass wall outlet elbow
- DR brass 9L/min flow Interchange® spigot
- PVC 1500 mm Silverflex™ hose with ½" BSP swivel conical end nut
- Licenced dual check/non-return valve
- 57 mm solid brass round flat flange
- Chrome plated finish
- Soft, pulsating and bubble spray functions



Compliance

- Watermark AS 3662 WMKT 21147
- Licenced dual check/non-return as per Watermark AS/NZS 2845.1 WMKA 02696
- 3 Star - 9 L/min as per WELS licence number 0046

Warranty

See Con-Serv warranty policy for full details.

CON-SERV CORPORATION AUSTRALIA PTY. LTD.

17 Glentanna Street, Kedron · Qld. 4031 Australia

Phone: +61 (0)7 3630 5744 · Fax: +61 (0)7 3630 5755 · Email: mail@con-serv.com.au · www.con-serv.com.au