

# PAXI 101

FREESTANDING BATH | ACRYLIC



## Freestanding bath with built-in overflow | 2 sizes

The Paxi Slimline has a fine rim, elegant super-ellipse design and smooth contours.

- seamless design
- white sanitary grade acrylic, high gloss finish
- excellent heat retention properties
- adjustable support feet
- fits 40mm waste
- built-in overflow, polished stainless steel slit overflow included as standard

ORDER CODE 191535 Paxi 101, 1500 long old code: SBT-101-15  
 191536 Paxi 101, 1700 long old code: SBT-101-17

OVERFLOW Integrated overflow with stainless steel exit plate

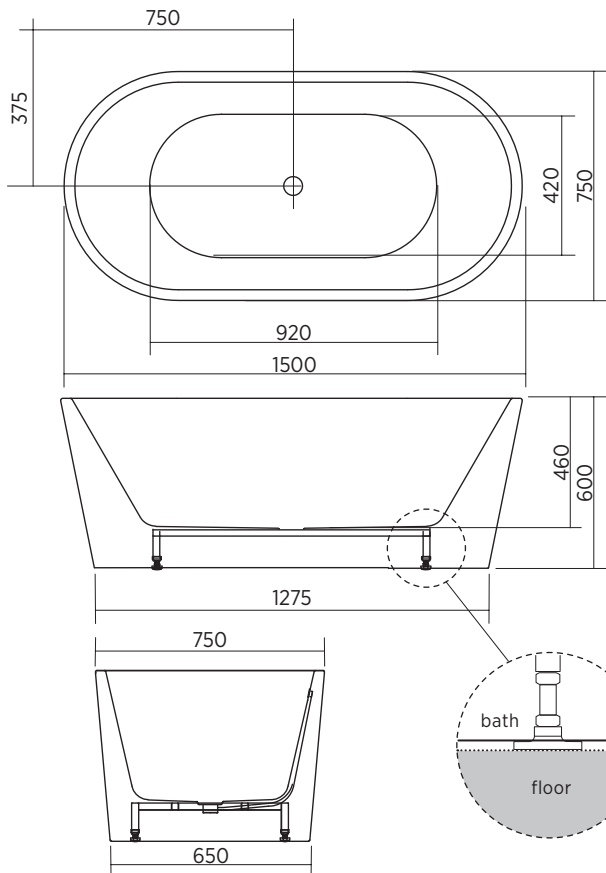
WASTE Suits 40 mm overflow waste (not supplied)

INSTALLATION The bath can be installed using a flexible connector pipe (not supplied).

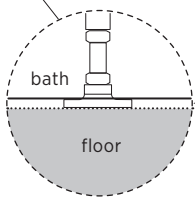
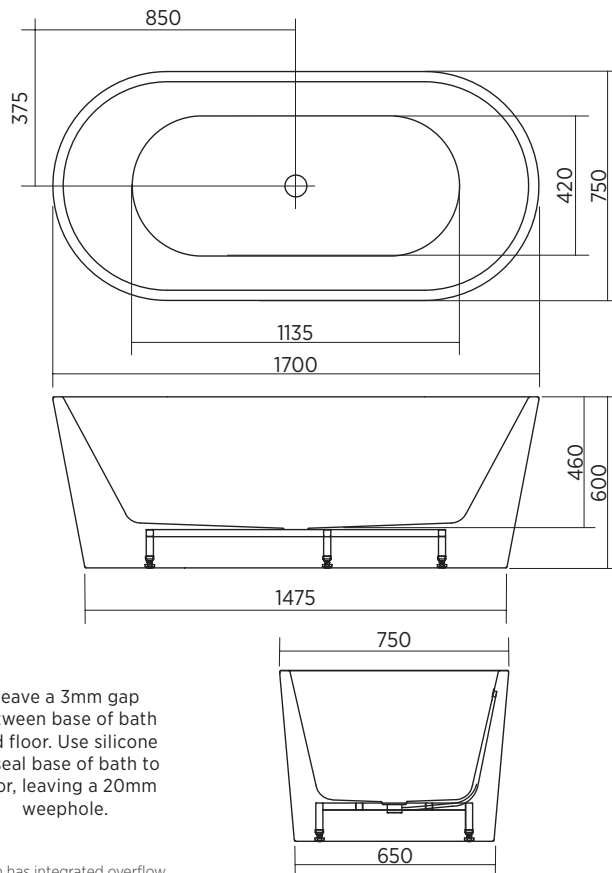
The bath is supplied with four adjustable support feet on the base frame of the bath. Position the bath and use the adjustable feet to level the bath. Leave a 3mm void between the base of the bath and the floor. Use silicone around the base to seal the bath to the floor. Allow a 20mm gap in the silicone seal as a weephole (gap is designed to reveal any plumbing leakage).

Use acetic cured silicone sealant. Do not use epoxy type adhesives. Always use the actual product to verify placement.

### 1500 MODEL



### 1700 MODEL



Leave a 3mm gap between base of bath and floor. Use silicone to seal base of bath to floor, leaving a 20mm weephole.

 Bath has integrated overflow

# SEIMA

bathroom | kitchen | laundry

seima.com.au

#### Please note

- All measurements are in millimetres.
- Dimensions are nominal and subject to normal ceramic manufacturing variations of ±5mm.
- Fixing: Use silicone sealant. DO NOT USE EPOXY TYPE ADHESIVES.
- Specifications may vary without notice as part of our continuous improvement practices.
- Clean with a damp cloth. Do not use abrasive cleaners, liquids or pastes.

paxi-101-ds | v 5.0