

# Luna Curved Shower Base with two-sided tile bead

Product Code: **SBCURVED**



 **MADE IN AUSTRALIA**

The Luna's slimline design, with two side tile bead, can be fully integrated into tiled bathroom walls or combined with other Decina shower products to create a leak resistant, long lasting, luxury shower enclosure. This shower base comes with a rear outlet position, plus an exclusive Decina branded chrome, friction lock removable waste cover.

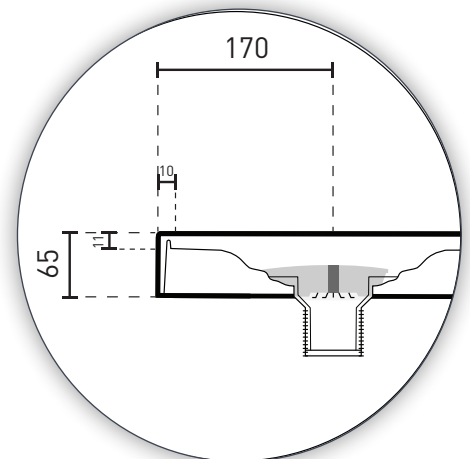
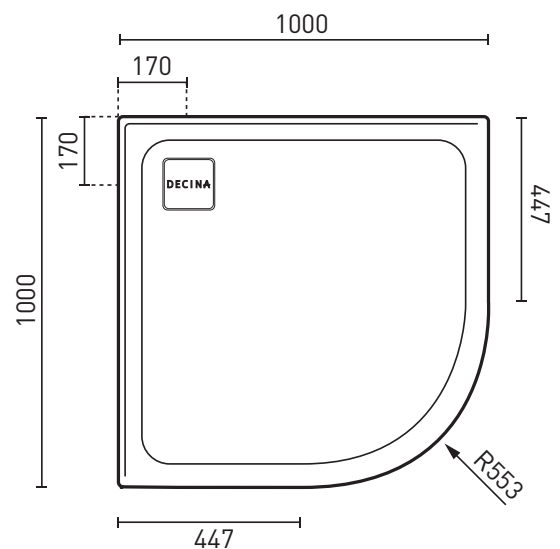
- Made to AS/NZ Standard 3588:1996
- Steel rod reinforced base
- Base is triple reinforced with fiberglass, timber and resin
- Includes chrome, friction lock removable waste cover
- 49mm low entry height
- Self-supporting feet
- No mortar bed required
- Slip resistant
- Easy to clean & maintain

## PRODUCT SPECIFICATIONS

**Material:** Premium sanitary grade acrylic, high gloss white / chrome  
**Width:** 1000mm  
**Depth:** 1000mm  
**Height:** 64mm (base height to the top of the tile bead)  
**Net Weight:** 24kg  
**Warranty:** 10 years (refer to [decina.com.au](http://decina.com.au))

## OPTIONAL ACCESSORIES

- Two sided acrylic shower wall **SW1000**
- Floriano Shower Screen **FLSSCURVED**



**DECINA**  
DISCOVER INDULGENCE

[DECINA.COM.AU](http://DECINA.COM.AU) 1300 DECINA



\*Warranty T&Cs apply, visit [decina.com.au](http://decina.com.au) Decina reserves the right to change specifications without notice. Due to manufacturing tolerances dimensions may vary +/- 5mm. We recommend installation does not start until after delivery. Please confirm all particulars prior to purchase, call 1300 DECINA or visit [decina.com.au](http://decina.com.au)