

Luna Square Shower Base with three-sided tile bead



Product Code (center outlet): **SB900C3T**

Product Code (rear outlet): **SB900R3T**

Product Code (center outlet): **SB1000C3T**

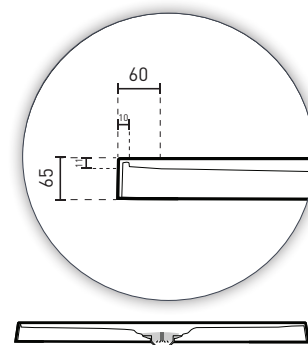
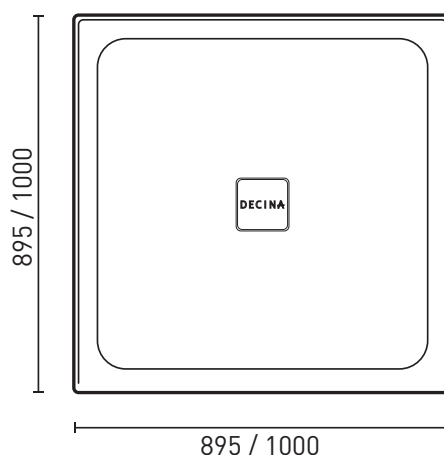
Product Code (rear outlet): **SB1000R3T**

MADE IN AUSTRALIA

The Luna's slimline design, with three side tile bead, can be fully integrated into tiled bathroom walls or combined with other Decina shower products to create a leak resistant, long lasting, luxury shower enclosure.

This deluxe range is available in a variety of sizes, with both center & rear outlet positions, plus an exclusive Decina branded chrome, friction lock removable waste cover.

- Made to AS/NZ Standard 3588:1996
- Steel rod reinforced base
- Base is triple reinforced with fiberglass, timber and resin
- Includes chrome, friction lock removable waste cover
- 49mm low entry height
- Self-supporting feet
- No mortar bed required
- Slip resistant
- Easy to clean & maintain



PRODUCT SPECIFICATIONS

Material: Premium sanitary grade acrylic, high gloss white / chrome

Width: 900mm / 1000mm

Depth: 900mm / 1000mm

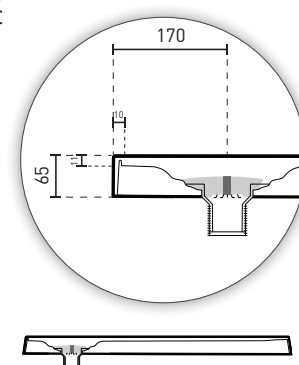
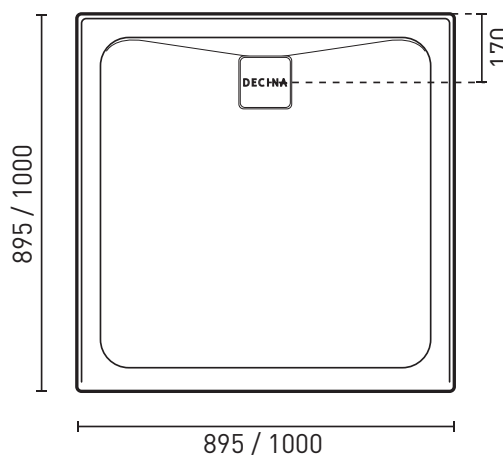
Height: 65mm
(base height to the top of the tile bead)

Net Weight: 21kg / 24kg

Warranty: 10 years (refer to decina.com.au)

OPTIONAL ACCESSORIES

- Two-sided acrylic shower wall
SW900 / SW1000
- Three-sided acrylic shower wall
SWAL900 / SWAL1000
- Cascade Shower Screen
CASS900C / CASS1000C



DECINA
DISCOVER INDULGENCE

DECINA.COM.AU 1300 DECINA



*Warranty T&Cs apply, visit decina.com.au Decina reserves the right to change specifications without notice. Due to manufacturing tolerances dimensions may vary +/- 5mm. We recommend installation does not start until after delivery. Please confirm all particulars prior to purchase, call 1300 DECINA or visit decina.com.au