

Venice Dolce Vita Island Spa Bath

 MADE IN AUSTRALIA



SPA BATH SHELL



PUMP, JETS & FITTINGS

The Venice's square design is large enough to provide bathing pleasure for two. This luxury bath comes with a galvanised base support frame & overflow with a chrome pop-up waste.

- AS/NZ Standard 3861:1991
- Steel rod reinforced rim
- Double reinforced bath base
- Suitable for dual bathing
- Adjustable self-supporting feet
- Overflow & waste
- 4 x headrests

PRODUCT SPECIFICATIONS

- Colour:** High Gloss White
- Material:** Premium Sanitary grade acrylic
- Length:** 1400mm
- Width:** 1400mm
- Height:** 520mm
- Capacity:** 372L
[200mm below the bath rim]
- Bath Type:** Island
- Waste Position:** Centre
- Warranty:** *10 years spa shell, *5 years pump, jets, fittings (*refer to decina.com.au)

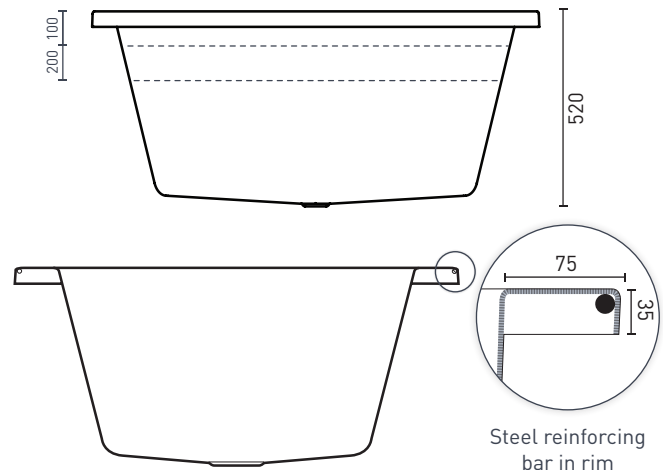
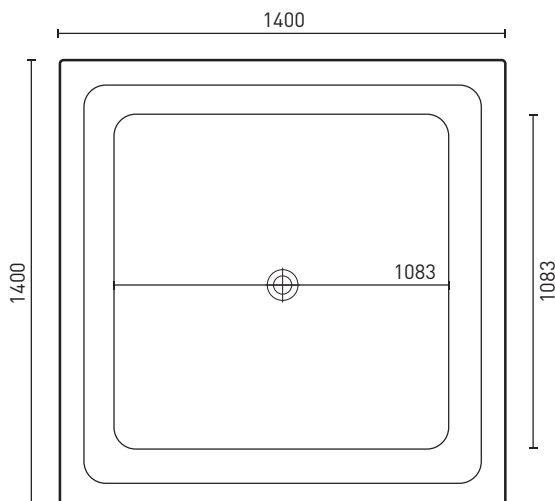
VENICE DOLCE VITA SPA BATH 28 JETS

SIZE (l) x (w) x (d) mm	CAPACITY*	NET WEIGHT	CODE
1400 x 1400 x 500	372L	90kg	VE1400DVSPAWC

- 4 x adjustable flush C-Lenda™ centro jets
- 24 x adjustable flush C-Lenda™ mini jets
- 4 x flush C-Lenda™ air controls
- 1 x flush C-Lenda™ suction
- Spa Key remote control
- 1100 watt spa key heat boost pump
- 4 x Fiore black headrests



Available with Chrome, White or Black jets



SPA BATH ORDER FORM

Spa baths are made to order on receipt of the order form & are non-refundable. Please allow approximately 15-20 working days for completion & dispatch. We recommend filling out your SPA BATH ORDER FORM with your qualified tradesperson.

DATE: _____

COMPANY: _____ BRANCH: _____

CONTACT: _____ PHONE: _____

ORDER NO: _____ MODEL: _____ SIZE: _____

QTY: _____ JET COLOUR: **DOLCE VITA ONLY** (NO additional cost)  Chrome White Black

CUSTOMER NAME: _____ CUSTOMER SIGNATURE: _____

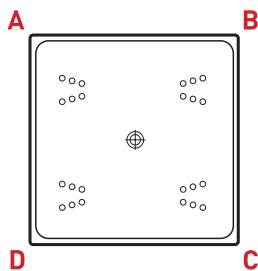
CUSTOMER EMAIL: _____ CUSTOMER PHONE NO: _____

VENICE SPA BATH ACCESSORIES	PRODUCT CODE	DOLCE VITA
Fiore Black Headrest	Black Straight SY242-A-B	4 x Included
Base Support Frame	Various	Included
Overflow		Included
Chrome Plug & Waste		Included
TriFlo Spa Pump Bracket & Cover (outside pump)	EDG119	Optional
TriFlo Cover Plate (outside pump)	EDG138	Optional
TriFlo Drain Tray & 1m Tubing (inside pump)	EDG140	Optional

SPA PUMP NOTES

- The spa pump does not fit directly in the baths perimeter (allow 100mm)
- The spa pump must be easily accessible for maintenance
- Waste positions can not be changed
- We recommend spa pumps installed outside are fitted with a Spa Pump Cover **EDG119**
- We recommend spa pumps installed inside are fitted with a Drain Tray **EDG140**

TICK THE BOX NEXT TO YOUR PUMP POSITION **A / B / C / D** ON THE DIAGRAM



Whilst every effort is made to adhere to published jet & fittings positions, variation to specifications may occur without notice. *Warranty T&Cs apply, visit decina.com.au Decina reserves the right to change specifications without notice. Due to manufacturing tolerances dimensions may vary +/- 5mm. We recommend installation does not start until after delivery. Please confirm all particulars prior to purchase, call 1300 DECINA or visit decina.com.au