

# 90cm Alfresco Canopy

## RANGEHOOD

PRODUCT CODE: **EBB900BK3R**



### FEATURES:

- + Black Finish
- + 3 speed aluminum alloy motor
- + 1000m<sup>3</sup> / hr extraction capacity
- + 2 x 1.5W LED lights
- + Separate light function
- + Electronic button front controls
- + 3 piece baffle filters
- + 150mm air flow outlet
- + Remote control

### HIGH EXTRACTION CAPACITY

The extraction capacity of 1000m<sup>3</sup>/hr provides strength and power to this stylish range hood.

### COMMERCIAL STYLE BAFFLE FILTERS

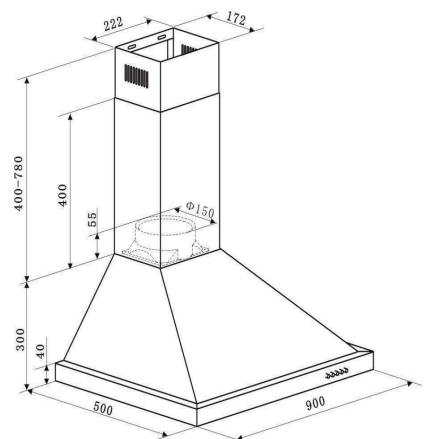
Easy clean, stainless steel baffle filters, are designed to capture all steam & moisture, whilst removing exhaust & odors.

### 3 SPEED MOTOR

This range hood provides the option of 3 different speed levels ensuring you have the option to use your rangehood at a low, medium or high level of operation.

### SPECIFICATIONS:

<b>Electrical Requirements</b>	Rangehood is supplied with 10amp cord & plug.
<b>Decibel Rating</b>	53-66 dBA
<b>Available Ventilation Kits</b>	
RHKE65EU	Wall – Eave vent kit
RHKMR65EU	Universal metal roof kit (includes flashing)
RHKTR65EU	Universal tile roof kit (includes flashing)
<b>Product Dimensions</b>	W900mm x D500mm
<b>Barcode</b>	93447726027869



euroalfresco



Warranty

### HELPFUL TIPS

- + Leave your rangehood on for 15 minutes after the cooking of the food to remove all odors, steam etc.
- + The baffle filters need to be cleaned after approximately 1 month of standard operation
- + It is also recommended that fumes from the rangehood be ducted out into the atmosphere.
- + Turn off the range hood before attempting to clean.

### INSTALLATION INFORMATION

Warning: This canopy is not an outdoor appliance, but it can be installed in an alfresco area in accordance with the following:

- + Installation must be performed by a qualified competent installer.
- + The canopy cannot be exposed to rain, moisture or dust.
- + Do not install in a location where winds may blow water or dust onto the canopy.
- + If installed above a barbecue, the minimum distance from the cooking surface is **1200mm**
- + If installed above a cooking appliance, the minimum distance from the cooking surface is **650mm**.