

Arch Mirror Cabinet

450 X 900MM

Features

- 3mm thick glass mirror with polished pencil edge
- Mirror treated with resin emulsion paint to protect against corrosion
- Fresh white exterior and interior on cabinet
- Soft close reversible door with silver edging (supplied as left hinged)
- Two adjustable internal board shelves
- Internal mirror with 3x magnification frequency
- Strong 15mm thick backing board
- Wall mounting screws included

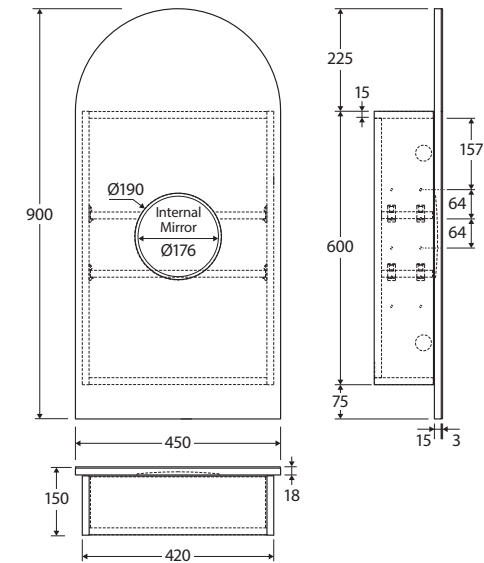


Image for illustrative purposes



White Cabinet with
Pencil Edge Mirror
PSH450ARCH

Easy to install: with high quality backing boards, fixings can be placed anywhere through the back of the cabinet.

Cleaning & Care

- Clean mirrors with a combination of 30% methylated spirits to 70% water and a soft cloth designed for use on glass surfaces.
- Clean cabinet with mild soapy water using a clean, soft cloth.
- Do not use harsh detergents, bleach, abrasive cleaners or cream/wax cleaners. These substances can result in scratches and/or deposit build-ups that will affect the appearance.
- Avoid placing hot objects, such as hair straighteners, on any surface as these will cause discolouration and marking.
- Spills of hair dye, after-shave lotion, nail polish and remover, aerosol spray and other harsh chemicals should be removed immediately to prevent damage and discolouration.

We aim to ensure that specifications are correct at the time of publication. All measurements are shown in millimetres. For MDF cabinetry, please allow +/- 5 mm tolerance per 1000 mm for manufacturing variance in straightness. Always use measurements of actual product received for final specification as the technical drawing may contain differences. Due to printing limitations, physical colour may vary from the image shown. Fienza reserves the right to make modifications without prior notice.