

SOAP DISPENSERS



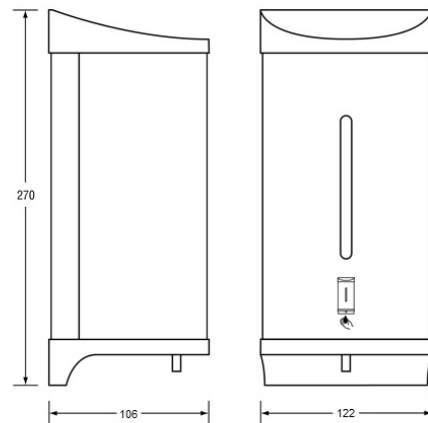
ML_950SD_SS

Auto Soap Dispenser in Satin Stainless Steel

Specification

Material	#304 Stainless Steel Case, ABS Top & Base
Finish	Satin Stainless Steel Case, Black top & Base
Specify	ML_950SD_SS
Mounting	Surface Mount Concealed Fix
Dimensions	270mmH x 122mmW x 106mmD
Capacity	900ml removable reservoir
Features	Provides one drop per cycle (1~1.5mL) Auto Operation: Infrared Sensor Operated/Powered by four (4) AA Batteries (not included) provides approx 10,000 drops/one-year usage Light Indication: Solid Blue for Dispensing and Flashing Blue for Low Battery Vandal-resistant security lock (key provided)
Consumable Advice	A Commercial Grade Liquid Soap with a Viscosity range of 1-3000cps (centipoises) and a PH level between 6.50 – 9.00 should be used in this dispenser to ensure the dispenser performs at an optimal level. <i>* Any liquids not within these ranges may cause the unit to operate at a sub-optimal level, fail or damage the unit and could void the Metlam Australia product warranty.</i>
Metlam Australia Consumable	ML_HLS ; Liquid Hand Soap Aloe Vera
Note	* This unit is accessible compliant when installed in accordance with AS1428.1 guidelines.

For installation instructions download the Metlam Australia App



Downloads & Resources

Care & Maintenance
 Installation instructions
 Auto cad
 Archi cad
 Revit
 Google sketch up
 Associated Videos
 Stainless Steel Cleaning & Maintenance

Looking after your Metlam Australia Automatic Soap Dispenser

The photographs and line drawings of the products presented above are representational only. Metlam Australia Pty Ltd reserves the right to, and from time to time, make changes and improvements in design and dimensions.