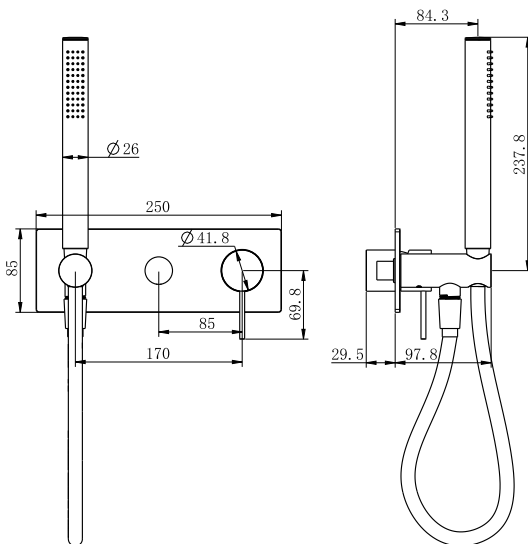


## Mecca Shower Mixer Divertor System



Dimensions are nominal measurements only.

## SPECIFICATION

WELS RATING	4 STAR 7.5L/MIN
WATERMARK LICENSE	WM-060073
TEMPERATURE RATING	MIN 1°C-MAX 75°C
PRESSURE RATING	MIN 150KPa-MAX 500KPa

## FINISH

	CHROME NR221912ETCH		MATTE BLACK NR221912ETMB
	BRUSHED NICKEL NR221912ETBN		GUN METAL NR221912ETGM
	BRUSHED GOLD NR221912ETBG		BRUSHED BRONZE NR221912ETBZ
	MATTE WHITE NR221912ETMW		

## MAINTENANCE AND CARE

All surfaces should be cleaned with mild liquid detergent or soap and water.

Do not use cream cleaners or citrus based cleaning products, as they are abrasive.

Use of unsuitable cleaning agents may damage the surface. Any damage caused in this way will not be covered by warranty.

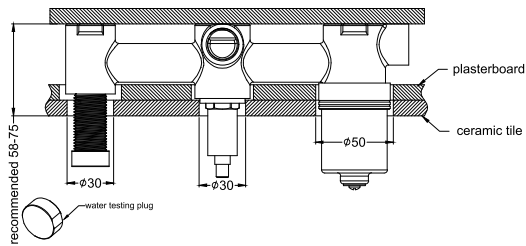
## PACKING INCLUDES

- 1x plate
- 1x handle
- 1x cartridge bell
- 1x dressing ring
- 1x hand shower
- 1x hose
- 1x bracket
- 1x knob
- 1x sleeve

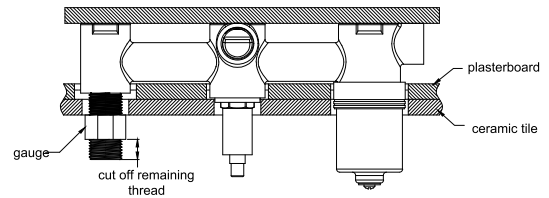


Versions: V1

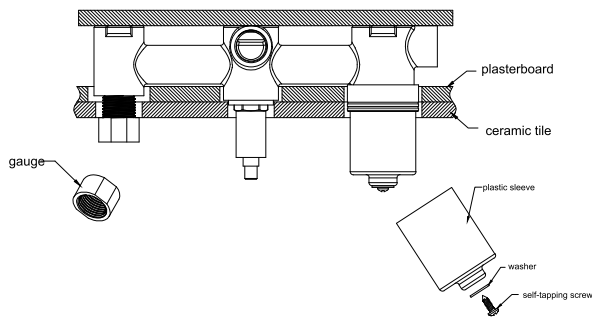
## Installation Instruction



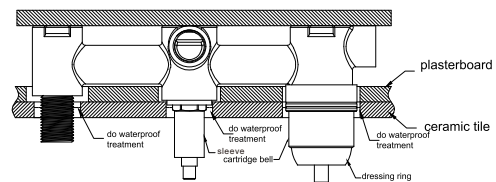
1. Install ceramic tile after drilling a  $\phi 50$  hole and two  $\phi 30$  holes.
2. Take off water testing plug.



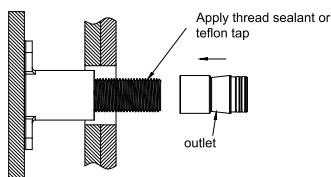
3. Put gauge onto outlet successively as above picture. Cut off remaining thread against to the cut off gauge.



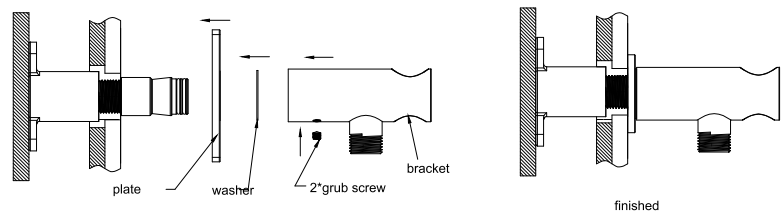
4. Take off gauge, self-tapping screw, washer and plastic sleeve successively.



5. Install cartridge bell and sleeve according to above picture.
6. Do waterproof treatment for gap of ceramic tile and cartridge bell and sleeve.
7. Screw dressing ring onto body.

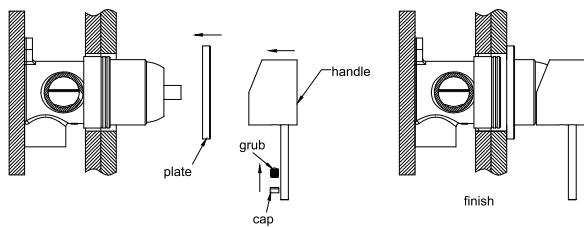


8. Apply thread sealant or teflon tap on outlet thread, tighten outlet onto outlet thread by wrench.

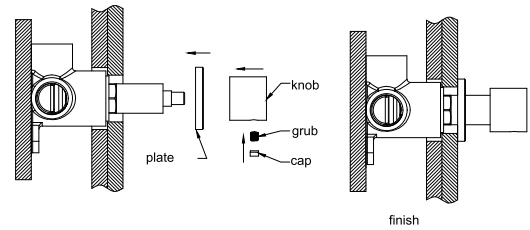


9. Install plate, washer, bracket onto body successively according to above picture.

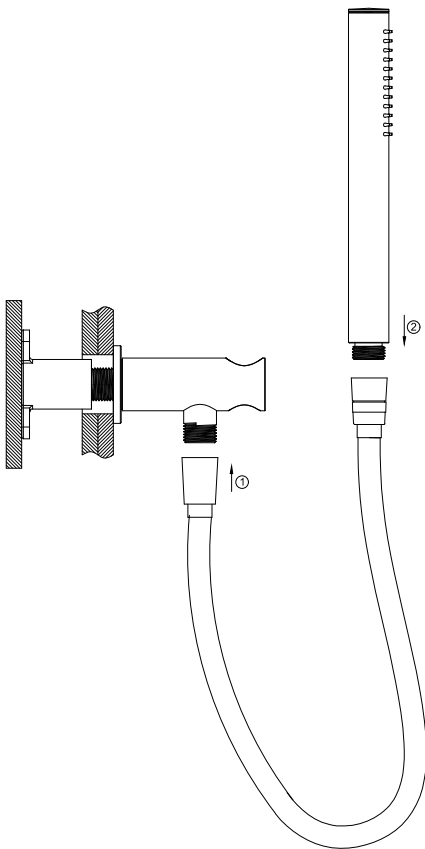
## Installation Instruction



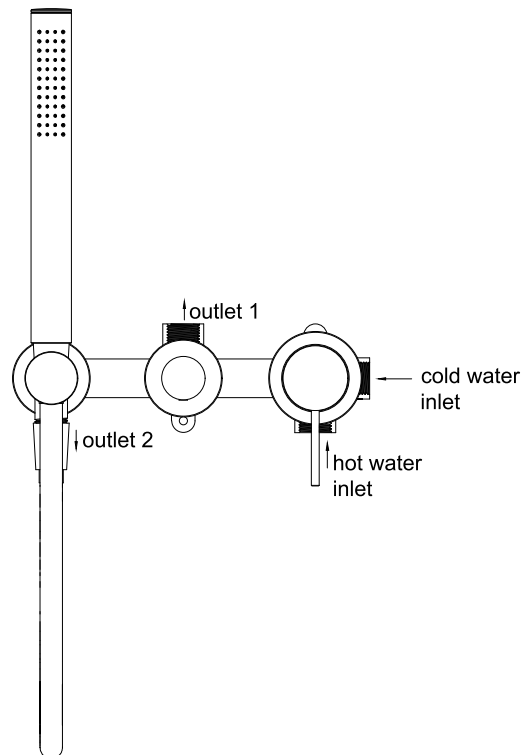
10. Install plate, handle successively according to above picture.



11. Install plate, knob successively according to above picture.



12. Connect bracket and hand shower with hose.



13. TEST & CHECK FOR LEAKS.