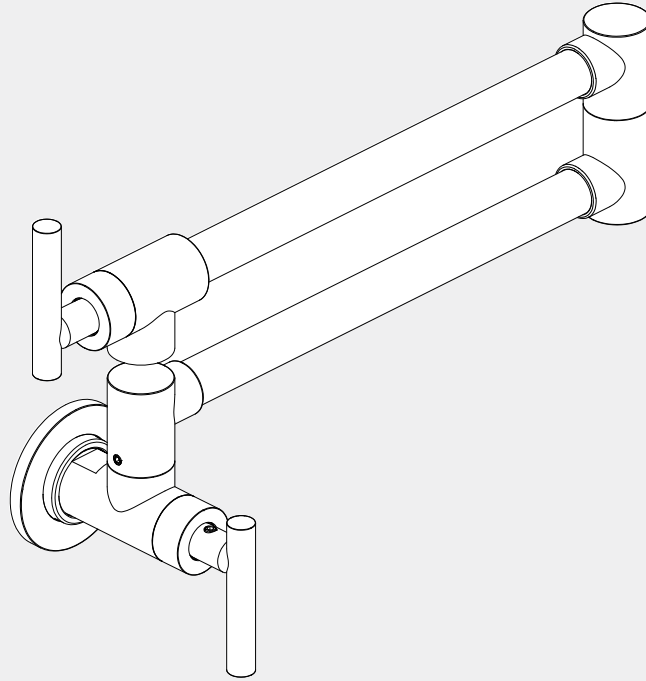


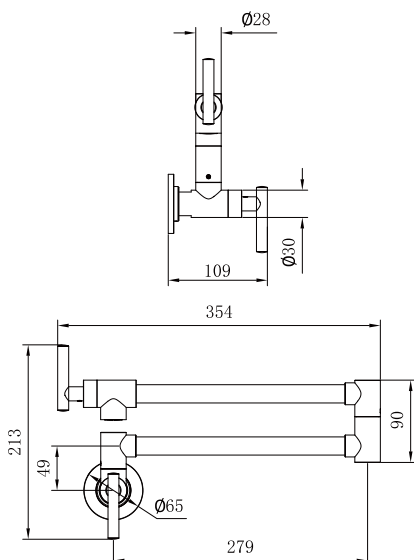
Zen 316L Stainless Steel Pot Filler

Nero



Versions:202401

Drawing



Specifications

Watermark License

WM-060073

Temperature Rating

Min 1°C-Max 75°C







Pressure Rating

Min 150kpa - Max 500kpa

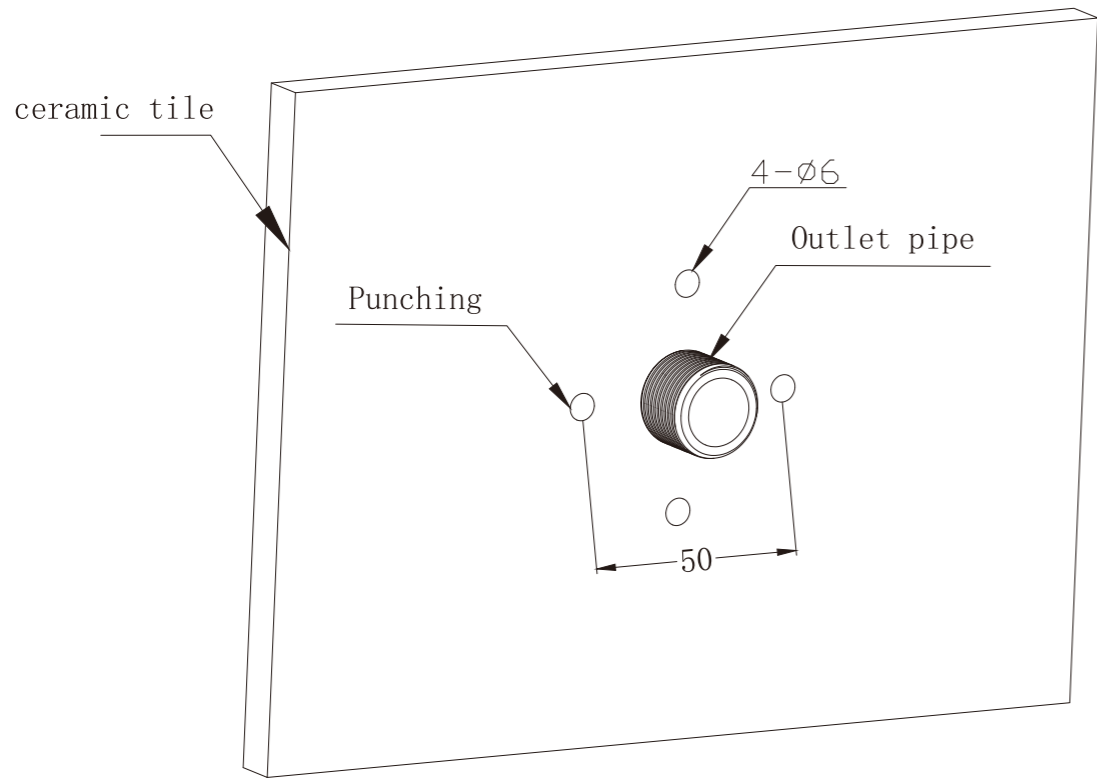
Packaging Includes

1x Pot Filler
1x Plate

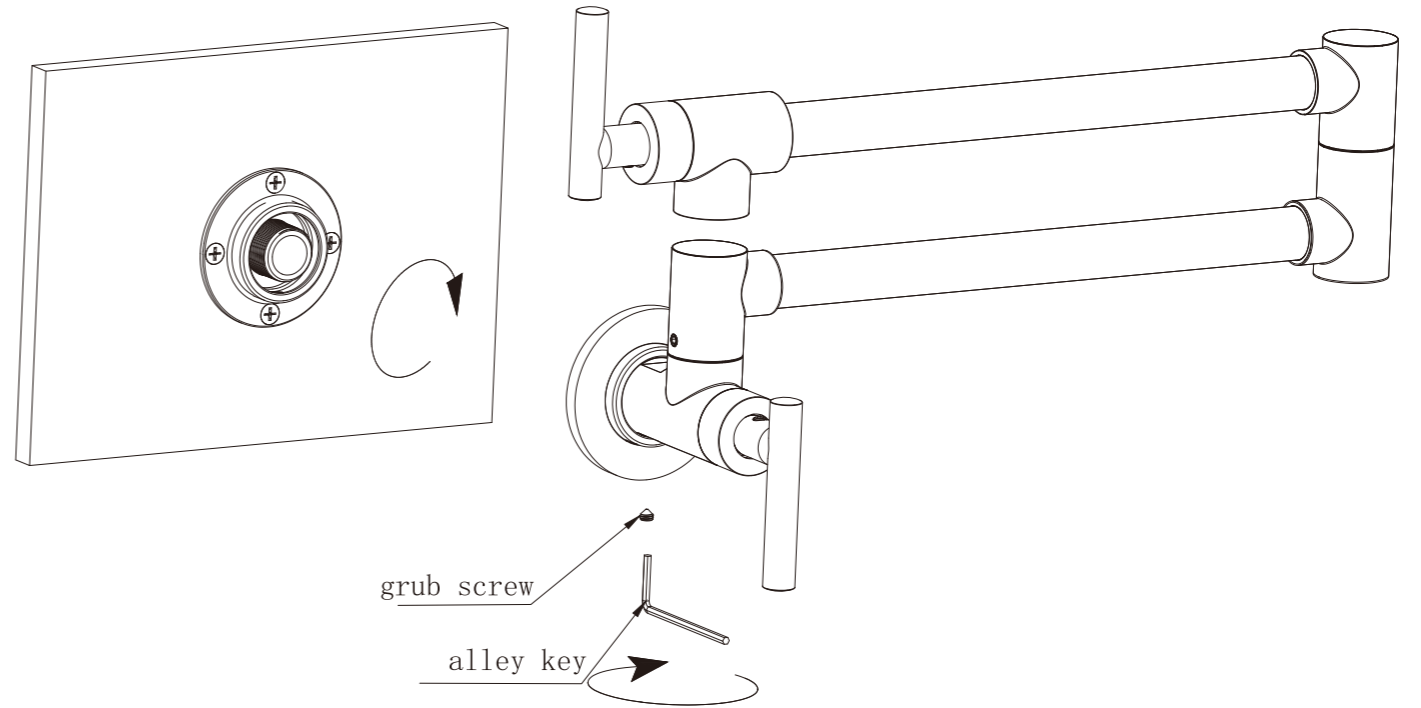
Finish & SKU

 Chrome NR162203CH	 Brushed Bronze NR162203BZ	 Graphite NR162203GR
 PVD Black NR162203PB	 Brushed Gold NR162203BG	 Brushed Nickel NR162203BN

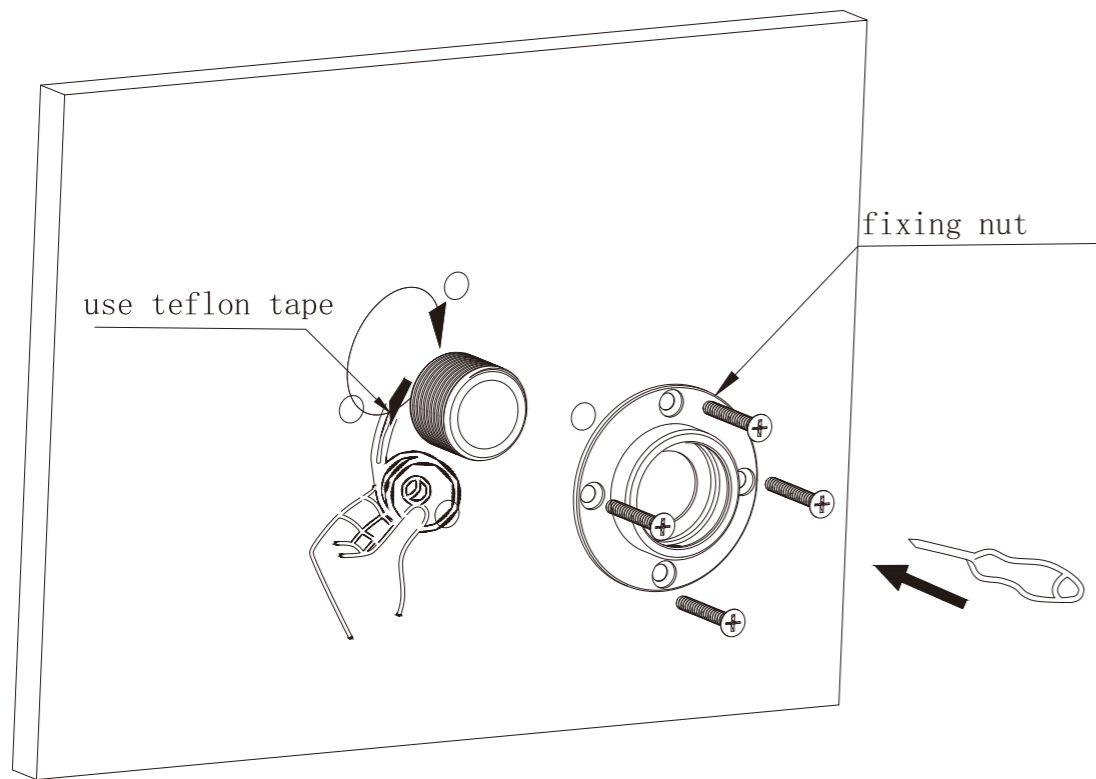
*Dimensions are nominal measurements only.



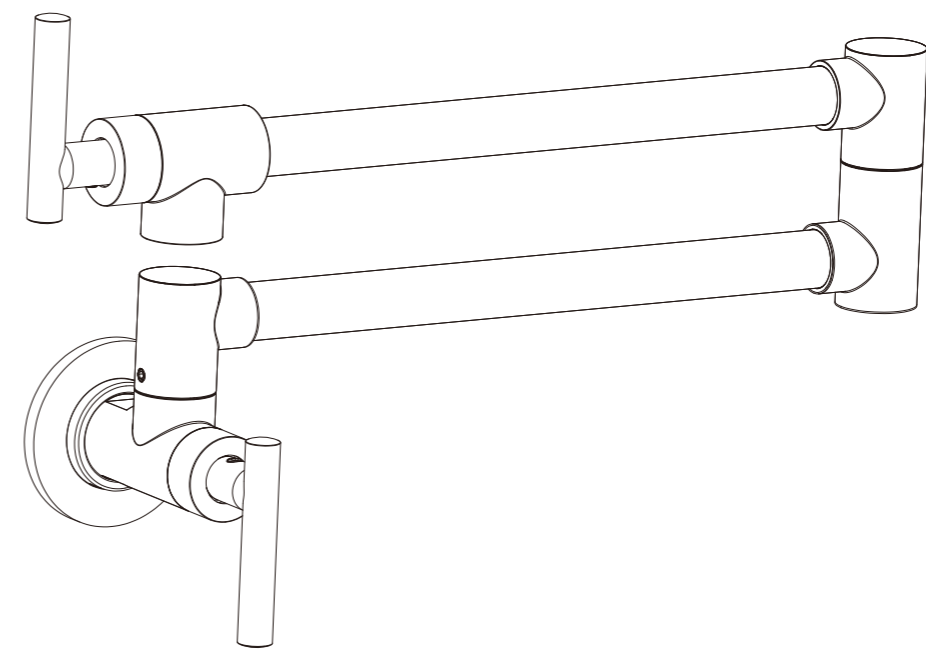
1. Drill four Ø6 mm holes, refer to above picture.



3. Screw pot filler onto outlet thread and tight it firmly by grub screws.



2. Put teflon tape onto outlet thread, then screw fixing nut onto outlet thread and tight it firmly by 4 screws.



4. Finished.

Nero

