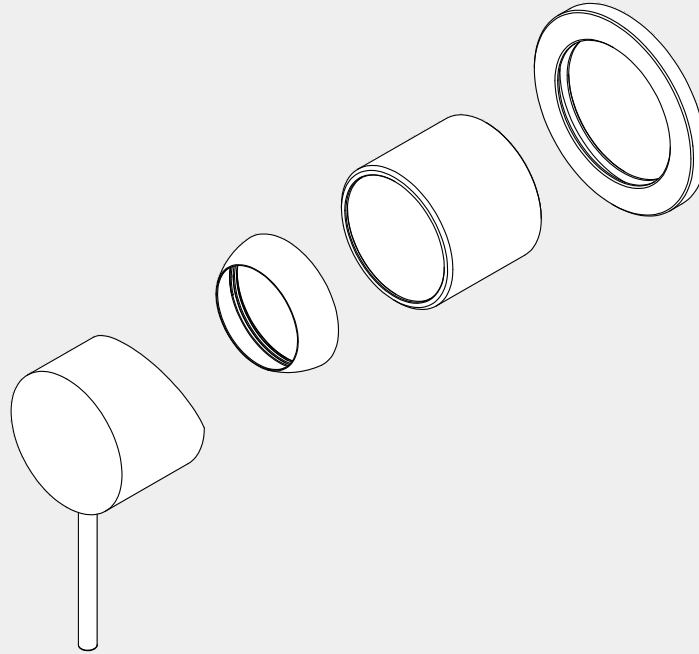


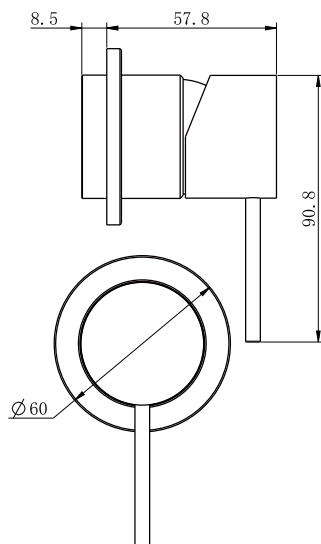
Mecca Shower Mixer 60mm Plate Trim Kits Only

Nero



Versions:202401

Drawing



Specifications

Watermark License

WM-060073

Temperature Rating

Min 1°C - Max 75°C

Pressure Rating

Min 150kpa - Max 500kpa

Packaging Includes

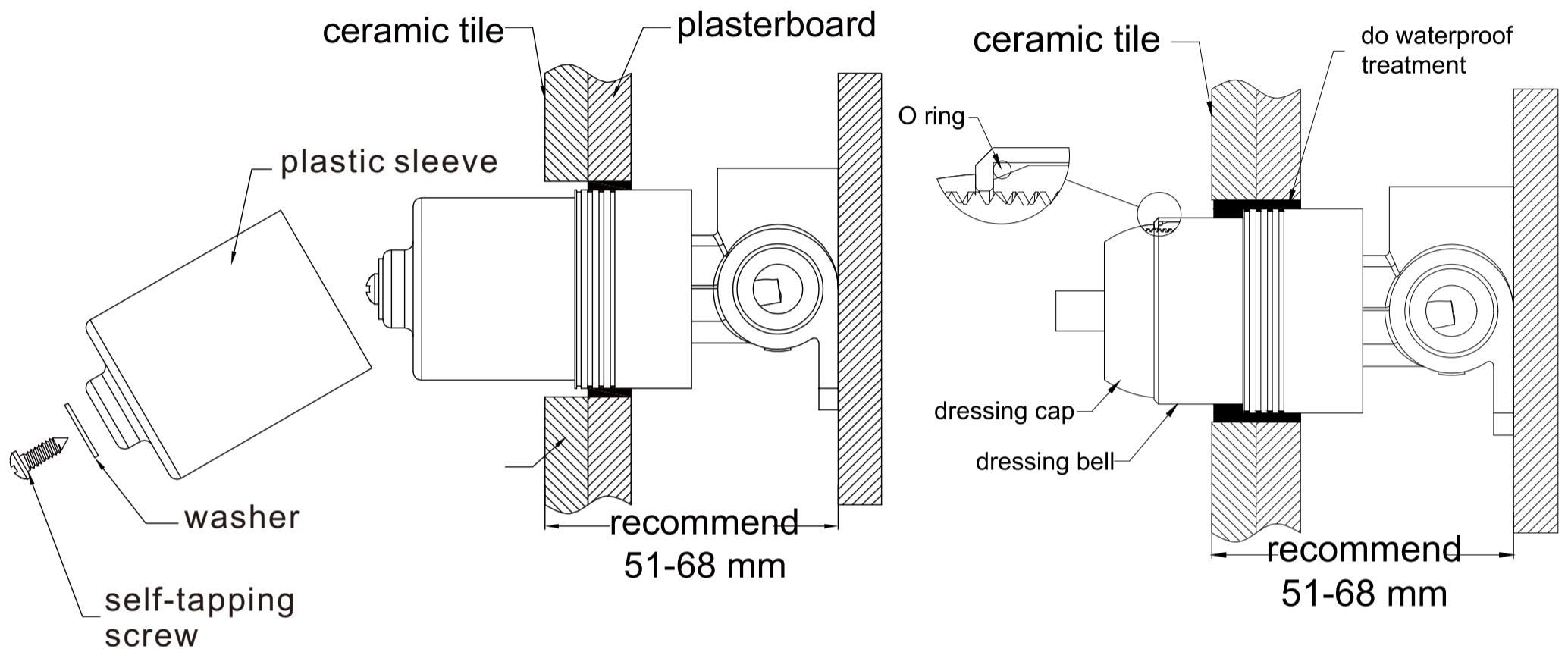
1x Plate
1x Handle
1x Cartridge Bell
1x Dressing Ring

Finish & SKU

 Chrome NR221911htCH	 Gun Metal NR221911htGM	 Brushed Bronze NR221911htBZ	 Brushed Nickel NR221911htBN
 Matte Black NR221911htMB	 Brushed Gold NR221911htBG	 Matte White NR221911htMW	

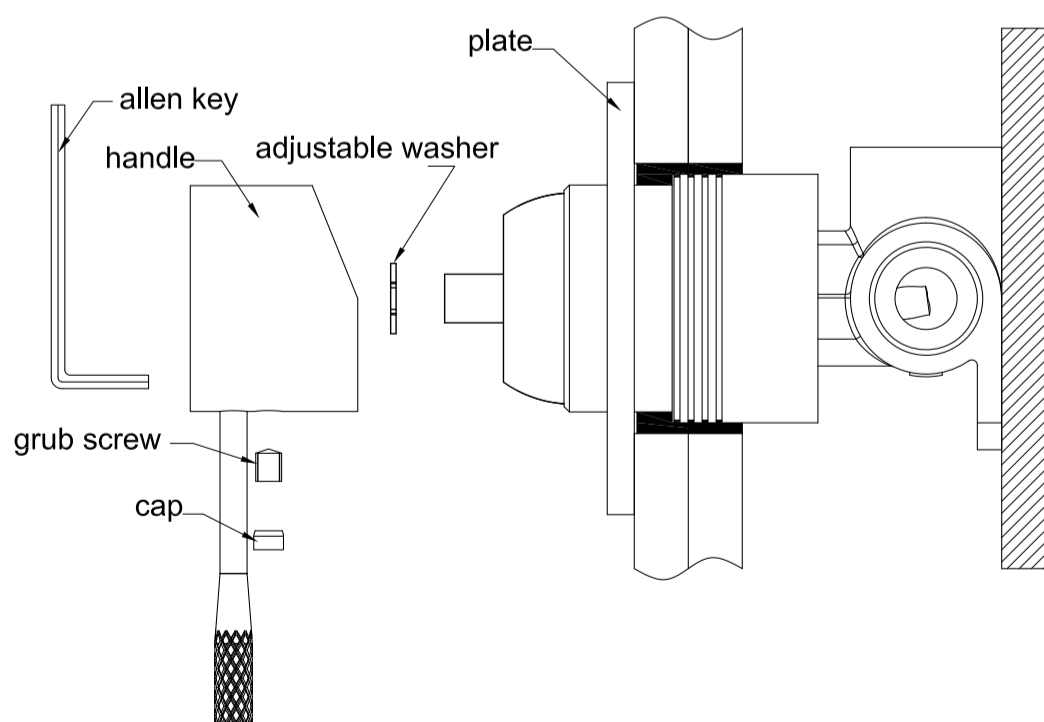
*Dimensions are nominal measurements only.

Installation Instruction For Trim Kits Only



1. Drill a $\phi 50\text{mm}$ hole in the ceramic tile, then position it as shown in the above diagram.
2. Undo the self-tapping screw, washer, plastic sleeve.

3. Insert the O ring to the dressing bell groove, and slide the dressing bell onto cartridge.
4. Apply waterproof treatment to the area in the diagram above.
5. Tighten the dressing ring on the dressing bell.



6. Slide the backplate onto the wall.
7. Attach the washer to the cartridge rod, position the handle, tighten it with a grub screw using an Allen key, and cap the grub screw hole.

Nero

info@nerotapware.com.au
nerotapware.com.au

11-13 Buontempo Road
Carrum Downs Vic 3201

