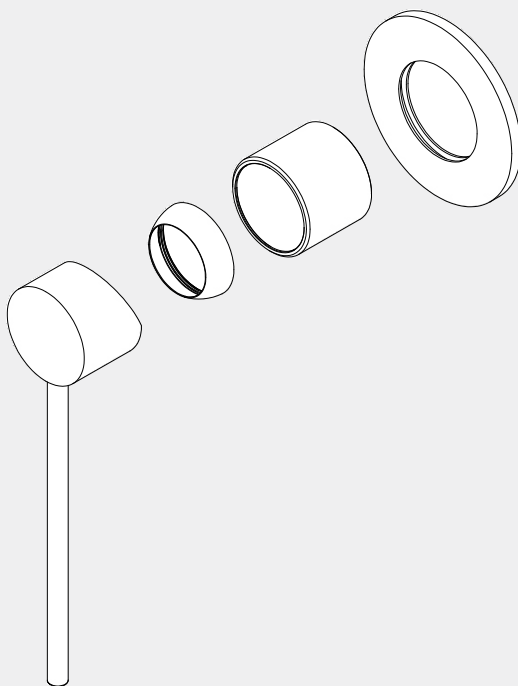


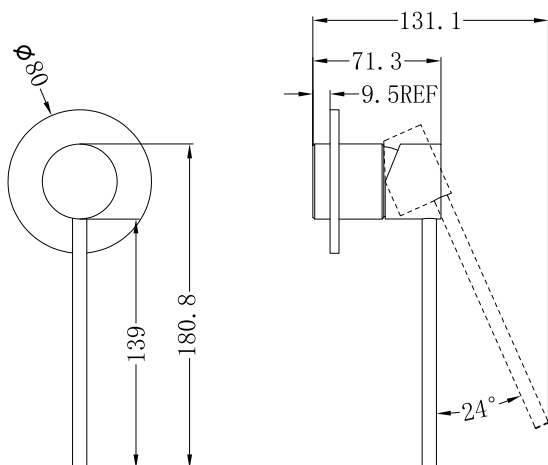
# Mecca Care Shower Mixer Trim Kits Only

# Nero



Versions:202401

## Drawing



## Specifications

### Watermark License

WM-060073

### Temperature Rating

Min 1°C - Max 75°C

### Pressure Rating

Min 150kpa - Max 500kpa

## Packaging Includes

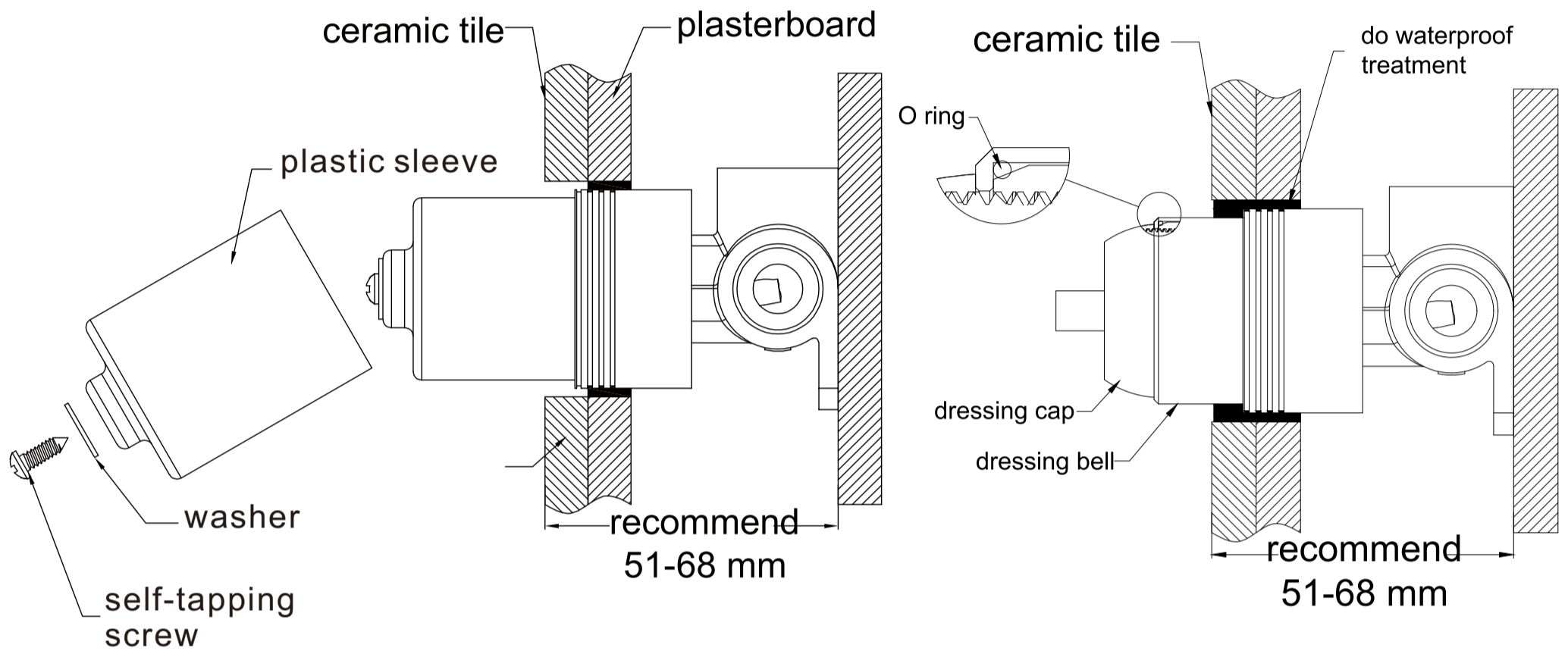
1x Plate  
1x Handle  
1x Cartridge Bell  
1x Dressing Ring

## Finish & SKU

 Chrome NR221911xtCH	 Gun Metal NR221911xtGM	 Brushed Bronze NR221911xtBZ	 Brushed Nickel NR221911xtBN
 Matte Black NR221911xtMB	 Brushed Gold NR221911xtBG	 Matte White NR221911xtMW	

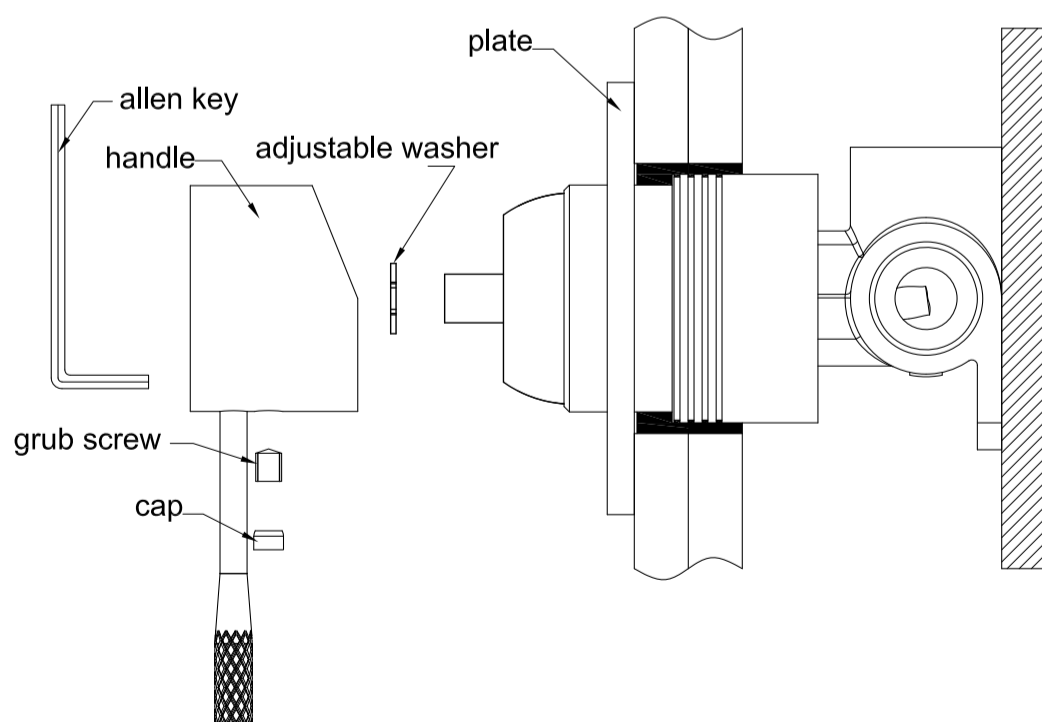
\*Dimensions are nominal measurements only.

# Installation Instruction For Trim Kits Only



1. Drill a  $\phi 50\text{mm}$  hole in the ceramic tile, then position it as shown in the above diagram.
2. Undo the self-tapping screw, washer, plastic sleeve.

3. Insert the O ring to the dressing bell groove, and slide the dressing bell onto cartridge.
4. Apply waterproof treatment to the area in the diagram above.
5. Tighten the dressing ring on the dressing bell.



6. Slide the backplate onto the wall.
7. Attach the washer to the cartridge rod, position the handle, tighten it with a grub screw using an Allen key, and cap the grub screw hole.

# Nero

[info@nerotapware.com.au](mailto:info@nerotapware.com.au)  
[nerotapware.com.au](http://nerotapware.com.au)

11-13 Buontempo Road  
Carrum Downs Vic 3201

