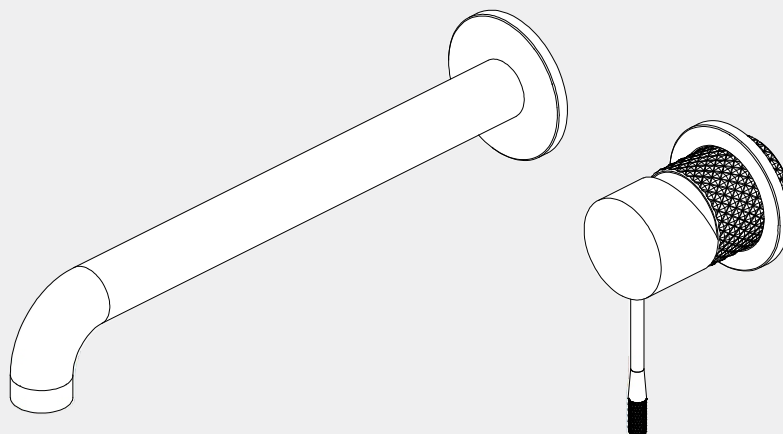


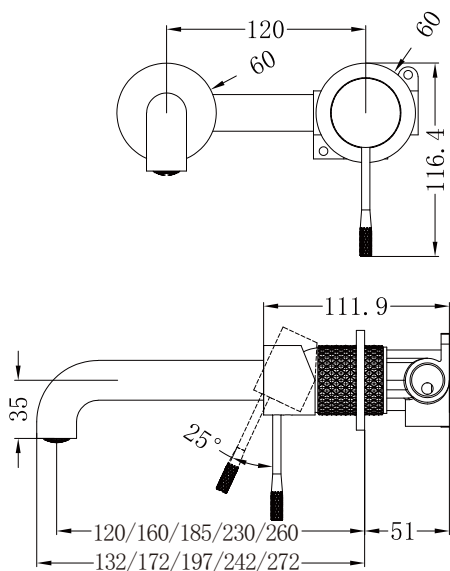
Opal Wall Basin/Bath Mixer Separate Back Plate

Nero



Versions:202401

Drawing



Specifications

Watermark License

WM-060073

Temperature Rating

Min 1°C-Max 75°C

Pressure Rating

Min 150kpa - Max 500kpa

Packaging Includes

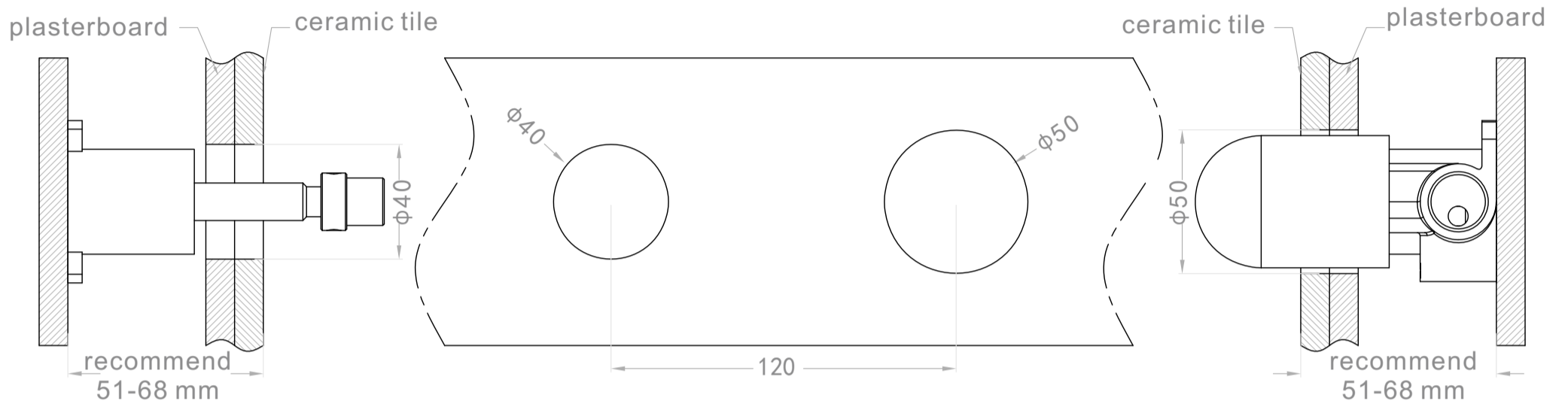
- 1x Mixer Body
- 1x Handle
- 1x Spout
- 2x Plates
- 1x Accessories Pouch
- 1x Aerator Driver
- 1x None Restricted Aerator

Finish & SKU

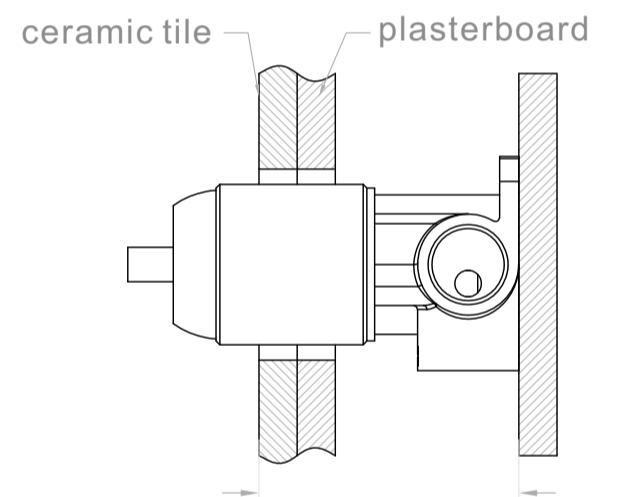
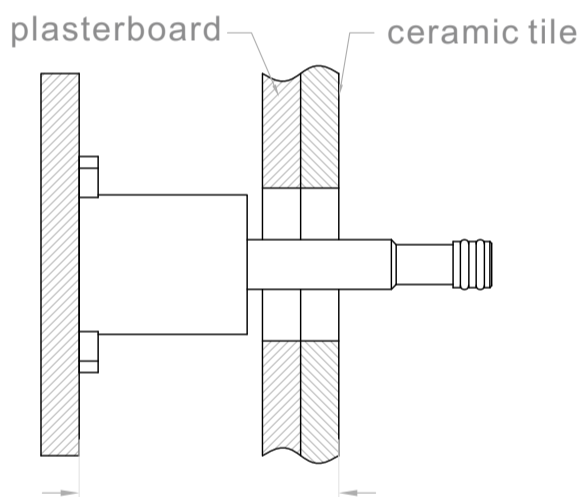
- | | |
|--|--|
| <ul style="list-style-type: none"> ● Brushed Bronze
NR251907bBZ
NR251907b(120/160/230/260)BZ | <ul style="list-style-type: none"> ● Graphite
NR251907bGR
NR251907b(120/160/230/260)GR |
| <ul style="list-style-type: none"> ● Brushed Gold
NR251907bBG
NR251907b(120/160/230/260)BG | <ul style="list-style-type: none"> ● Brushed Nickel
NR251907bBN
NR251907b(120/160/230/260)BN |

*Dimensions are nominal measurements only.

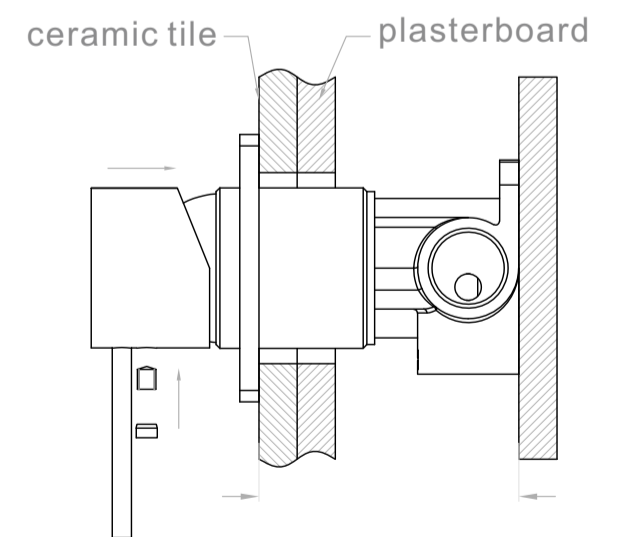
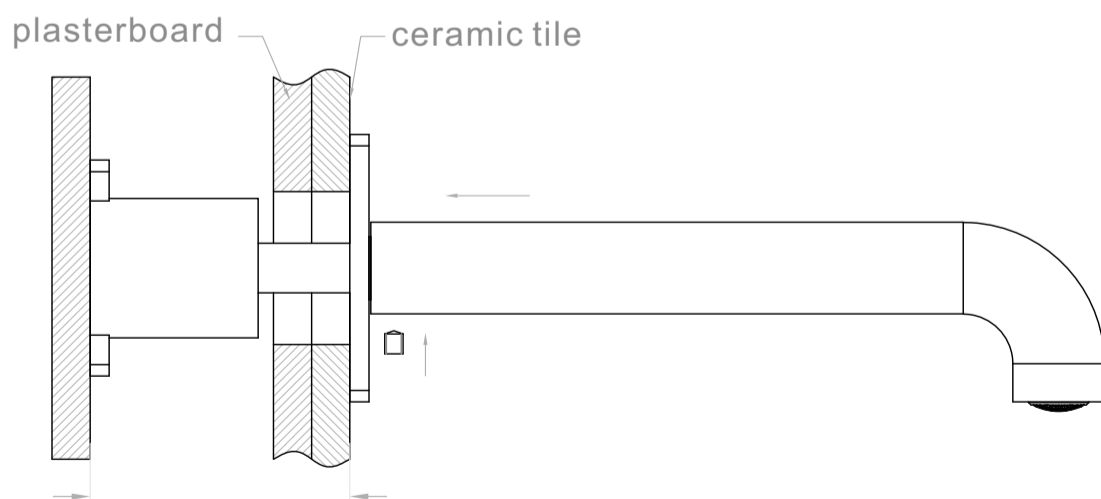
Installation Instruction



1. Fix body on noggin and ensure installation depth is 51-68mm from noggin to ceramic tile.
2. Connect cold water hose and hot water hose and conduct water pressure test for leakage.
3. Install plasterboard and ceramic tile after drilling a $\phi 50$ and a $\phi 40$ hole according to above picture.



4. Remove the plastic sleeve, grub screw and water testing plug.



5. Install washer, plate, spout and handle.

Nero

