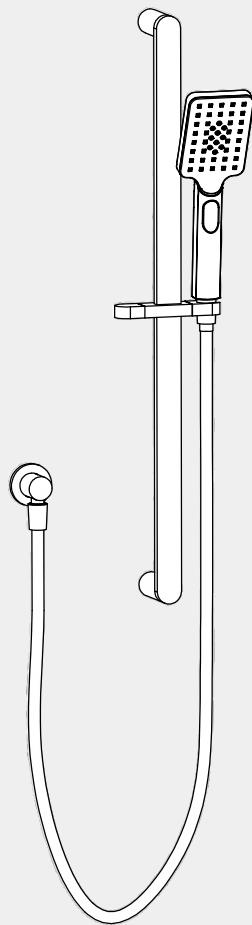


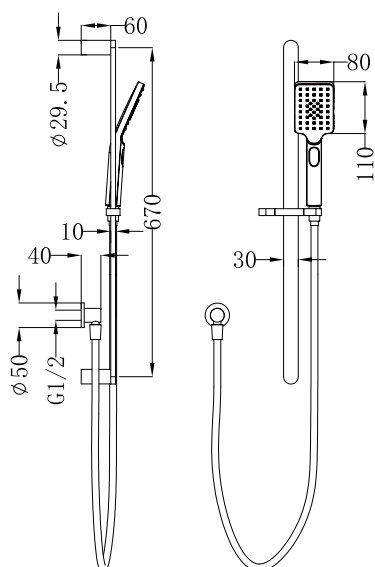
Bianca Shower Rail

Nero



Versions:202401

Drawing



Specifications

Watermark License

WM-060093

Temperature Rating

Min 1°C - Max 75°C

Pressure Rating

Min 150kpa - Max 500kpa

Packaging Includes

1x Hand Shower
1x Shower Rail
1x Shower Elbow
1x 1.5m PVC Hose

Finish & SKU

Chrome
NR30803CH

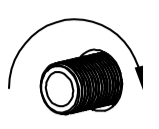
Gun Metal
NR30803GM

Brushed Nickel
NR30803BN

Matte Black
NR30803MB

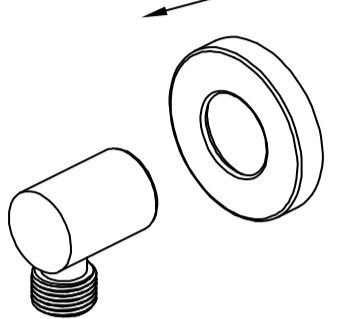
Brushed Gold
NR30803BG

*Dimensions are nominal measurements only.



use Teflon tape

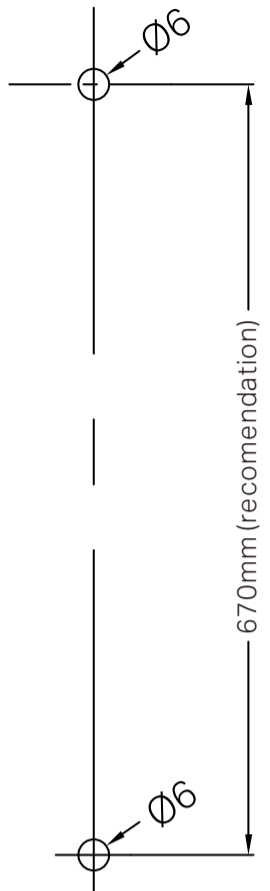
1. Put Teflon tape on outlet thread.




2. Pull dressing ring on the elbow body.



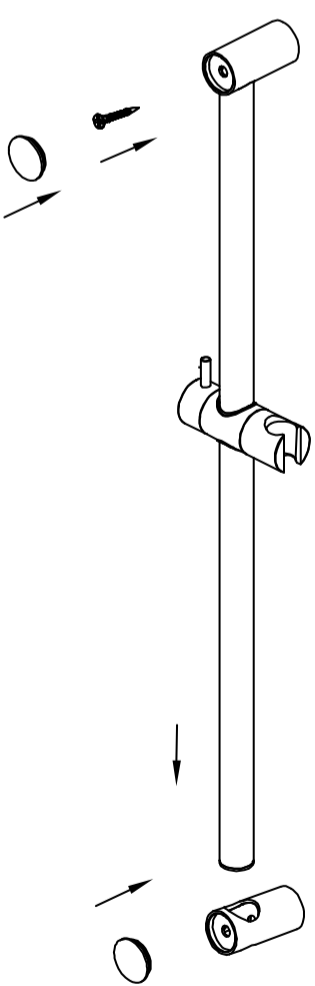
3. Screw elbow body on to outlet.



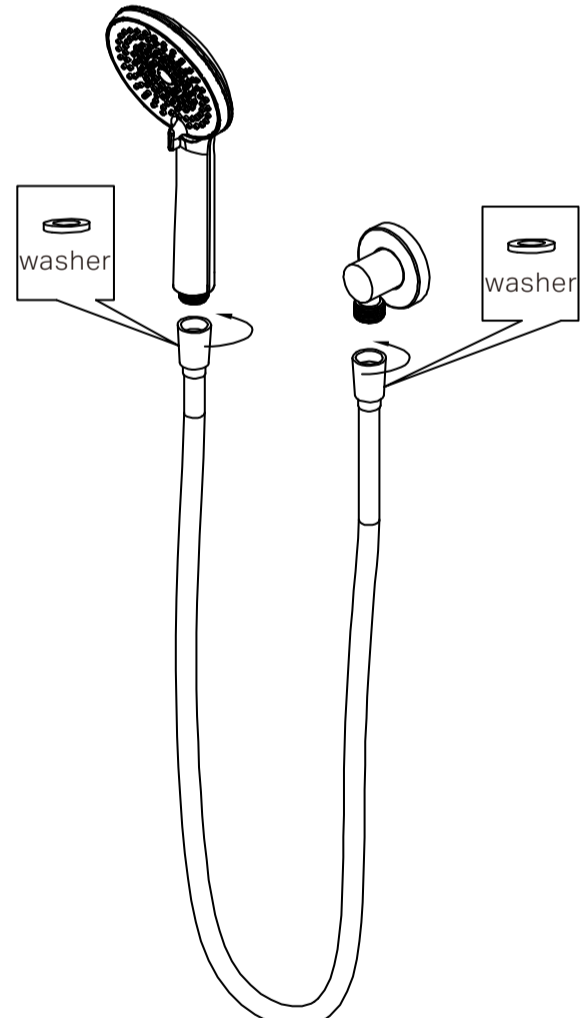
4. Drill two $\text{\O}6\text{mm}$ holes according to above picture.



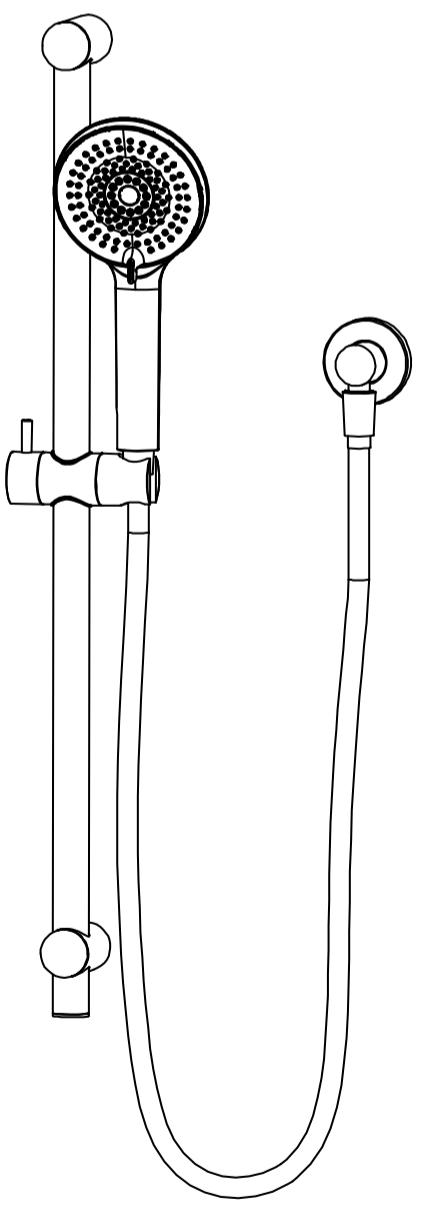
5. Mount bottom bracket on the $\text{\O}6$ hole by expansion plug and tapping screw.



6. Plug shower rail in bottom bracket. Mount top bracket on the top hole by expansion plug and tapping screw. Push plates onto two brackets.



7. Connect hand shower with outlet by shower hose.



8. Test for leaks.

Nero

