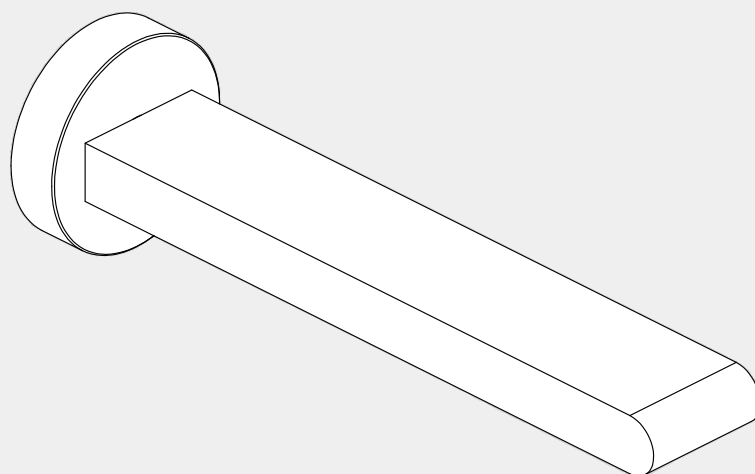


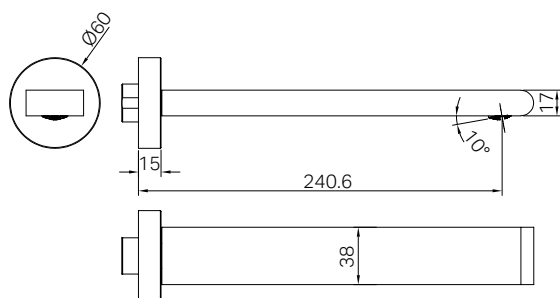
Bianca Fixed Bath Spout 240mm

Nero



Versions:202405

Drawing



Specifications

Watermark License

WM-060073

Temperature Rating

Min 1°C-Max 75°C







Pressure Rating

Min 150kpa - Max 500kpa

Packaging Includes

1x Spout
1x Plate

Finish & SKU

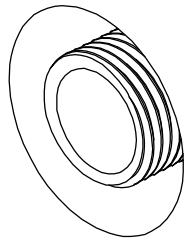
 Chrome NR321503bCH	 Gun Metal NR321503bGM	 Brushed Nickel NR321503bBN
 Matte Black NR321503bMB	 Brushed Gold NR321503bBG	 Brushed Bronze NR321503bBZ

*Dimensions are nominal measurements only.

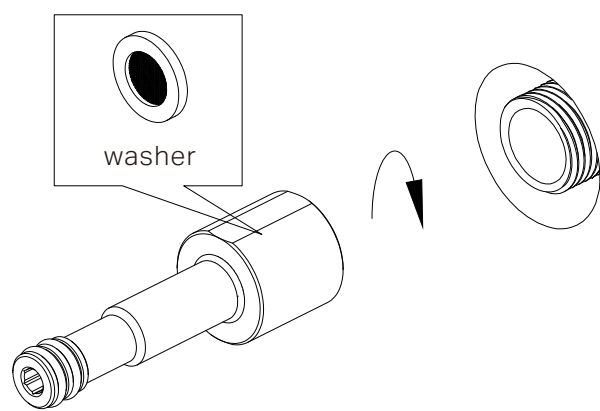
Installation Instruction

GENERAL INSTRUCTIONS:

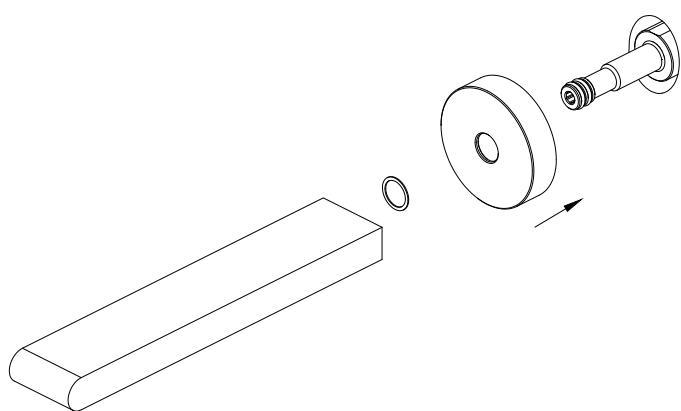
- This product must be installed by a licensed plumber. Ensure that your plumbing installation conforms to the Australian/New Zealand Standard AS/NZS 3500.
- All pipework must be thoroughly flushed prior to the installation of the mixer. In-line filters must be fitted on both hot and cold supplies to prevent foreign particles from damaging the ceramic cartridge.
- All outlets used primarily for personal hygiene must deliver water at a safe temperature in accordance with regional regulations.



1. Trim the G1/2 outlet thread to be flush with the finished wall surface.



2. Remove the G1/2 spout adapter from the spout.
Attach the G1/2 spout adapter to the outlet thread, ensuring that the rubber washer is properly seated inside the adapter as illustrated in the figure.



3. Fit the back plate onto the spout adapter.
4. Place the ABS washer against the backplate.
5. Push the spout onto the spout adapter.

MAINTENANCE AND CARE:

- Regularly check the mixer and connections for signs of wear or leaks.
- Clean the tap with mild soapy water to maintain its appearance, avoiding harsh chemicals and abrasive materials that may damage the finish.

FINAL INSPECTION:

- Ensure the tap operates smoothly and that there are no leaks at the connections.
- Clean the area and the newly installed tap with a soft cloth to remove any installation residues.

Nero

