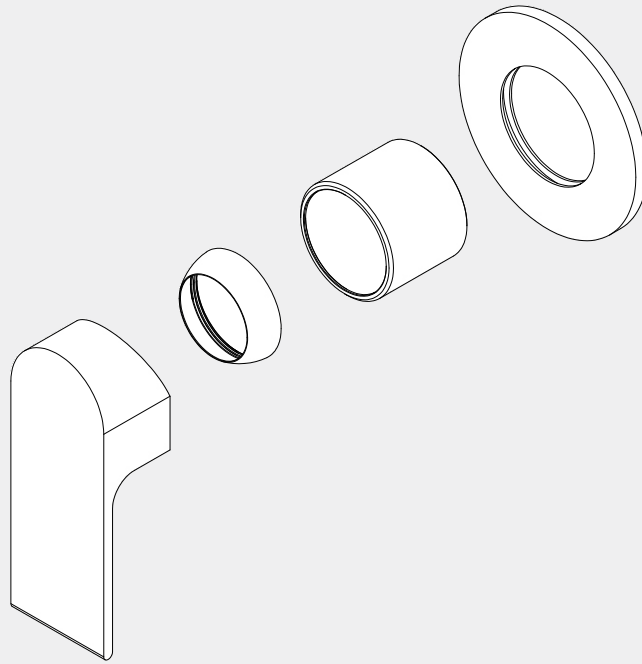


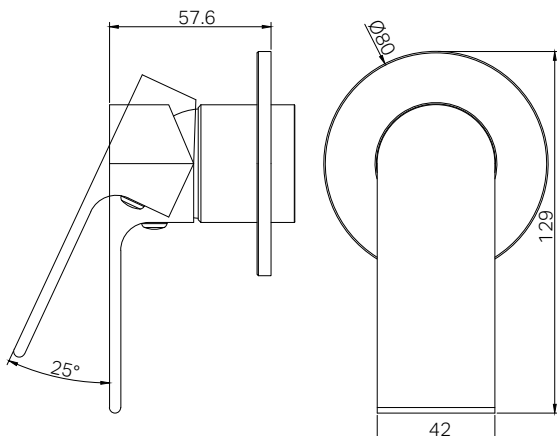
# Bianca Shower Mixer 80mm Plate Trim Kits Only

# Nero



Versions:202405

## Drawing



## Specifications

### Watermark License

WM-060073

### Temperature Rating

Min 1°C - Max 75°C







### Pressure Rating

Min 150kpa - Max 500kpa

## Packaging Includes

- 1x Plate
- 1x Handle
- 1x Cartridge Bell
- 1x Dressing Ring
- 1x Installation Kits

## Finish & SKU

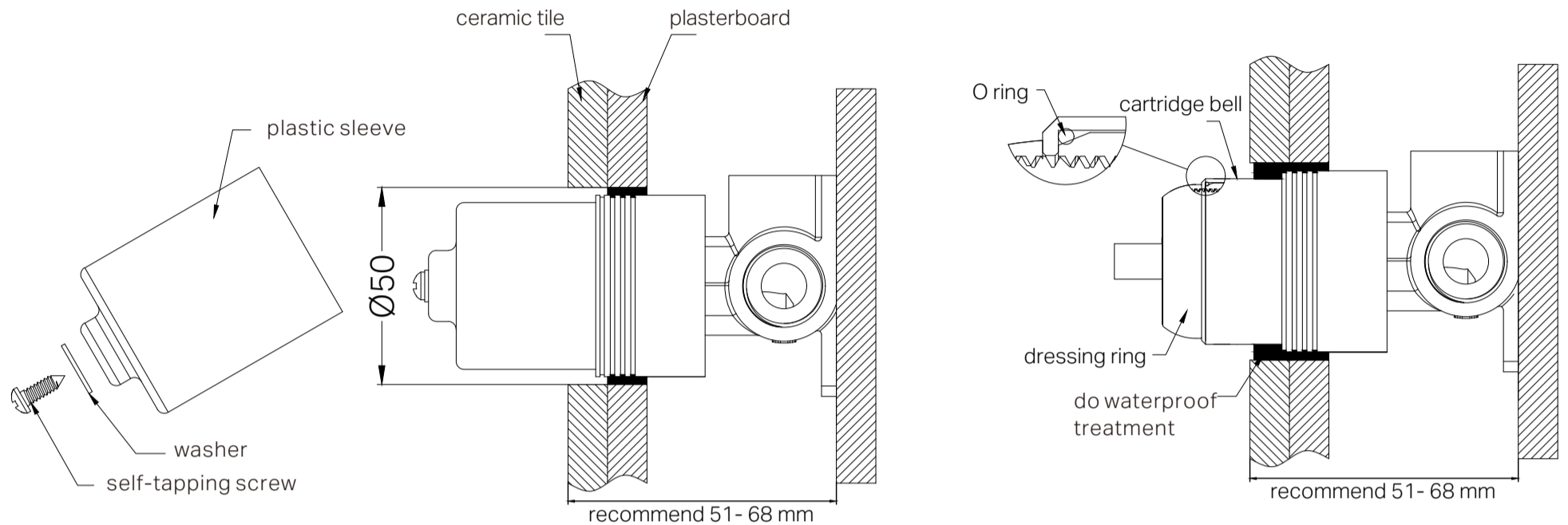
- |   |  |  |
|---|--|--|
|  Chrome<br>NR321511dtCH      |  Gun Metal<br>NR321511dtGM    |  Brushed Nickel<br>NR321511dtBN |
|  Matte Black<br>NR321511dtMB |  Brushed Gold<br>NR321511dtBG |  Brushed Bronze<br>NR321511dtBZ |

\*Dimensions are nominal measurements only.

# Installation Instruction

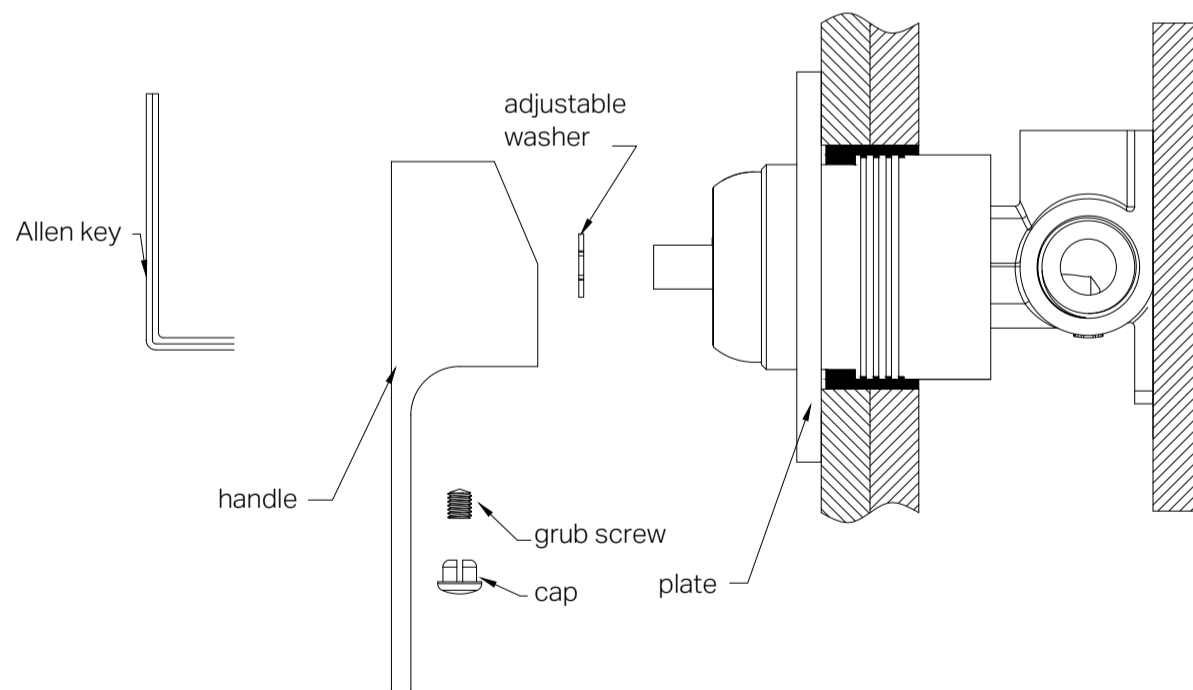
## GENERAL INSTRUCTIONS:

- This product must be installed by a licensed plumber. Ensure that your plumbing installation conforms to the Australian/New Zealand Standard AS/NZS 3500.
- All pipework must be thoroughly flushed prior to the installation of the mixer. In-line filters must be fitted on both hot and cold supplies to prevent foreign particles from damaging the ceramic cartridge.
- All outlets used primarily for personal hygiene must deliver water at a safe temperature in accordance with regional regulations.



1. Drill a  $\text{\O}50\text{mm}$  hole in the ceramic tile, then position it as shown in the above diagram.
2. Undo the self-tapping screw, washer, plastic sleeve.

3. Insert the O ring to the cartridge bell groove, and slide the cartridge bell onto cartridge.
4. Apply waterproof treatment to the area in the diagram above.
5. Tighten the dressing ring on the cartridge bell.



6. Slide the backplate onto the wall.
7. Attach the washer to the cartridge rod, position the handle, tighten it with a grub screw using an Allen key, and cap the grub screw hole.

## MAINTENANCE AND CARE:

- Regularly check the mixer and connections for signs of wear or leaks.
- Clean the tap with mild soapy water to maintain its appearance, avoiding harsh chemicals and abrasive materials that may damage the finish.

## FINAL INSPECTION:

- Ensure the tap operates smoothly and that there are no leaks at the connections.
- Clean the area and the newly installed tap with a soft cloth to remove any installation residues.

# Nero

