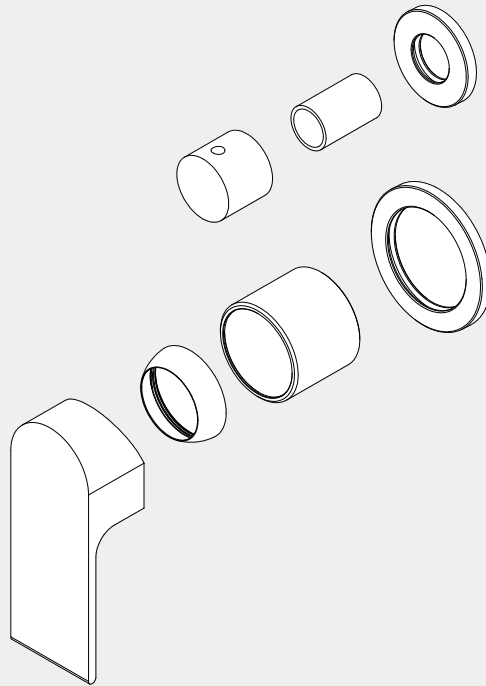


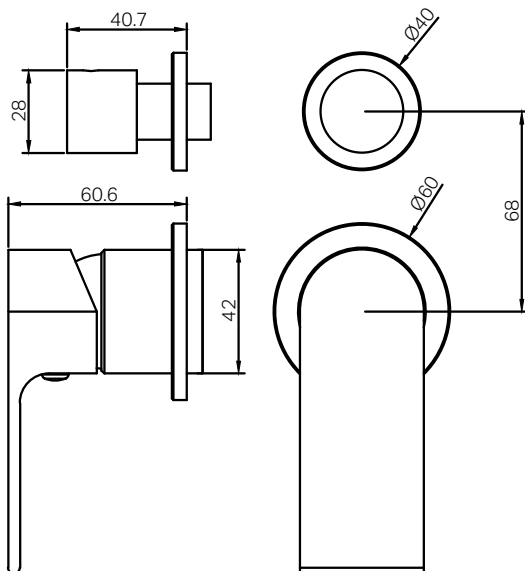
Bianca Shower Mixer With Divertor Separate Back Plate Trim Kits Only

Nero



Versions:202405

Drawing



Specifications

Watermark License

WM-060073

Temperature Rating

Min 1°C - Max 75°C

Pressure Rating

Min 150kpa - Max 500kpa

Finish & SKU

Chrome
NR321511gtCH

Gun Metal
NR321511gtGM

Brushed Nickel
NR321511gtBN

Matte Black
NR321511gtMB

Brushed Gold
NR321511gtBG

Brushed Bronze
NR321511gtBZ

Packaging Includes

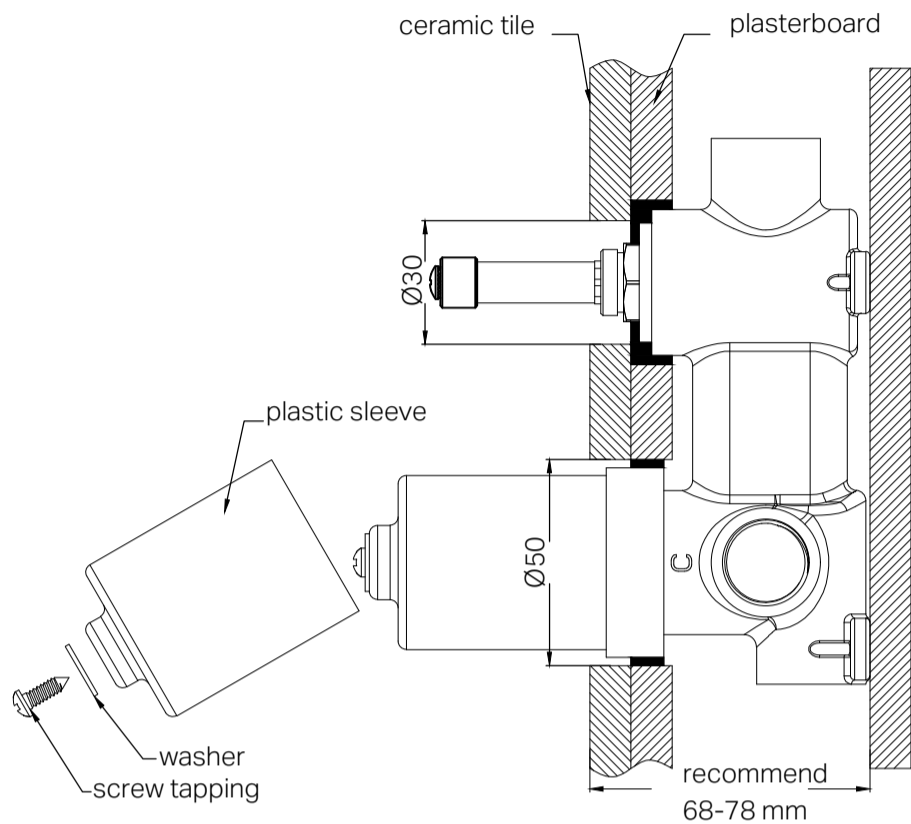
2x Plates
1x Handle
1x Divertor Knob
1x Divertor Sleeve
1x Cartridge Bell
1x Dressing Ring
1x Installation Kits

*Dimensions are nominal measurements only.

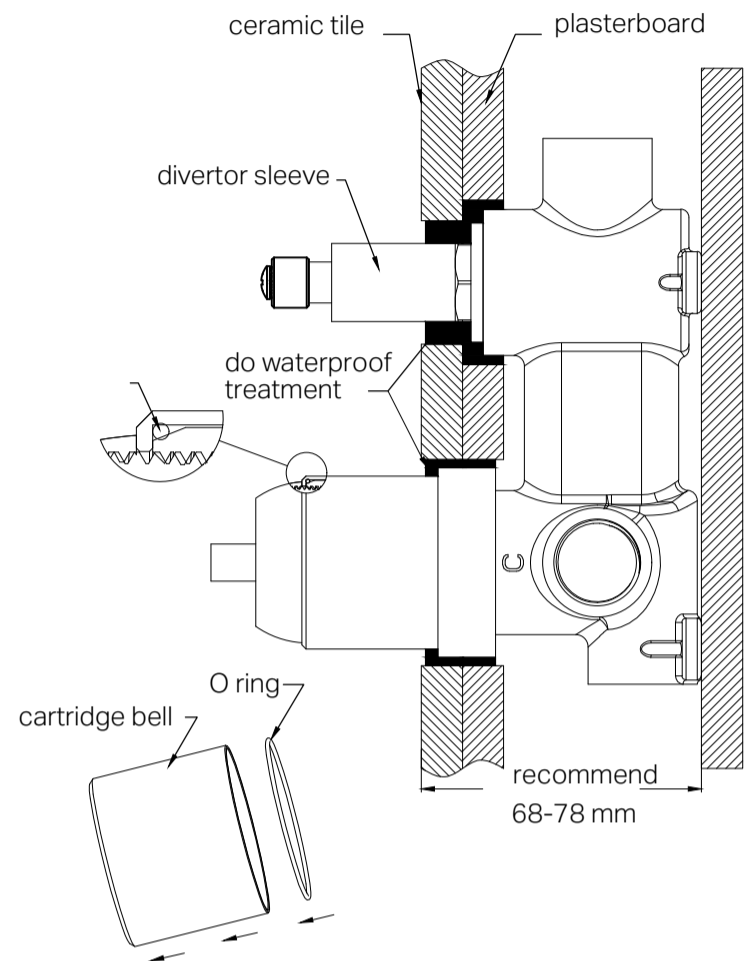
Installation Instruction

GENERAL INSTRUCTIONS:

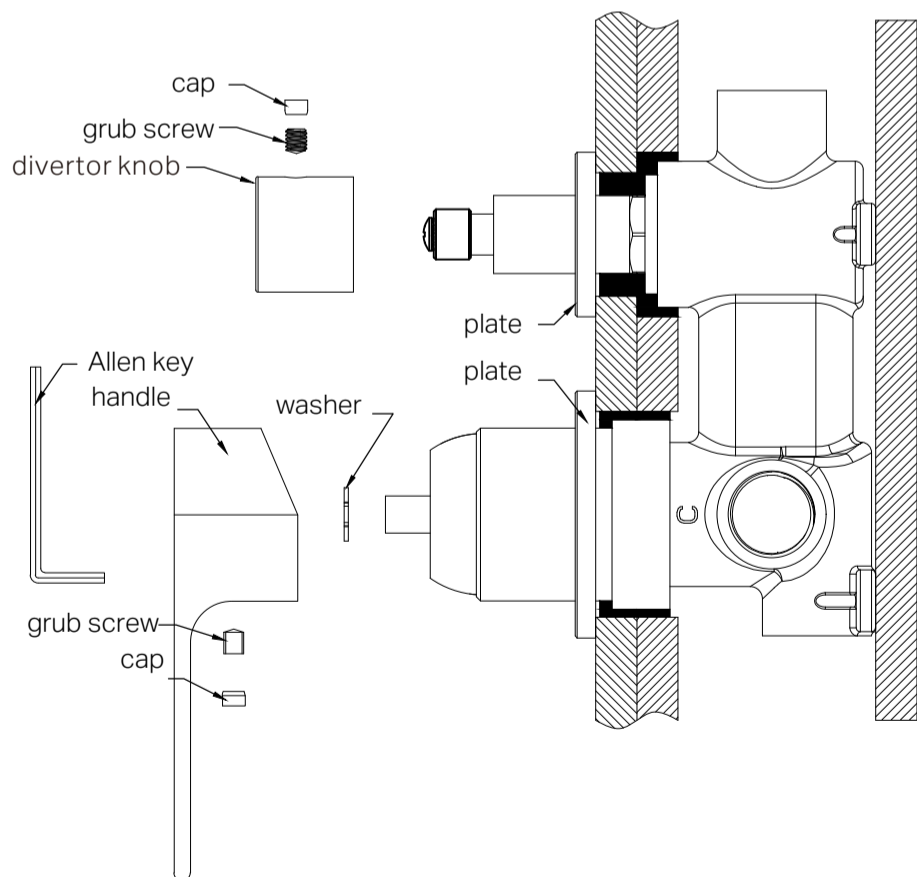
- This product must be installed by a licensed plumber. Ensure that your plumbing installation conforms to the Australian/New Zealand Standard AS/NZS 3500.
- All pipework must be thoroughly flushed prior to the installation of the mixer. In-line filters must be fitted on both hot and cold supplies to prevent foreign particles from damaging the ceramic cartridge.
- All outlets used primarily for personal hygiene must deliver water at a safe temperature in accordance with regional regulations.



1. Drill a Ø50mm and a Ø30mm hole in the ceramic tile, then position it as shown in the above diagram.
2. Undo the self-tapping screw to remove the plastic sleeve.



3. Insert the O ring to the cartridge bell groove, and slide the cartridge bell onto cartridge and slide divertor sleeve onto divertor cartridge.
4. Apply waterproof treatment to the area indicated in the diagram above.
5. Tighten up the dressing ring on the cartridge bell.



6. Slide the backplates onto body.
7. Attach the washer to cartridge rod, position the handle, tighten it with a grub screw using an Allen key, and cap the grub screw hole.
8. Attach the divertor knob to divertor cartridge, tighten it with grub screw using Allen key, and cap the grub screw hole.

MAINTENANCE AND CARE:

- Regularly check the mixer and connections for signs of wear or leaks.
- Clean the tap with mild soapy water to maintain its appearance, avoiding harsh chemicals and abrasive materials that may damage the finish.

FINAL INSPECTION:

- Ensure the tap operates smoothly and that there are no leaks at the connections.
- Clean the area and the newly installed tap with a soft cloth to remove any installation residues.

Nero

