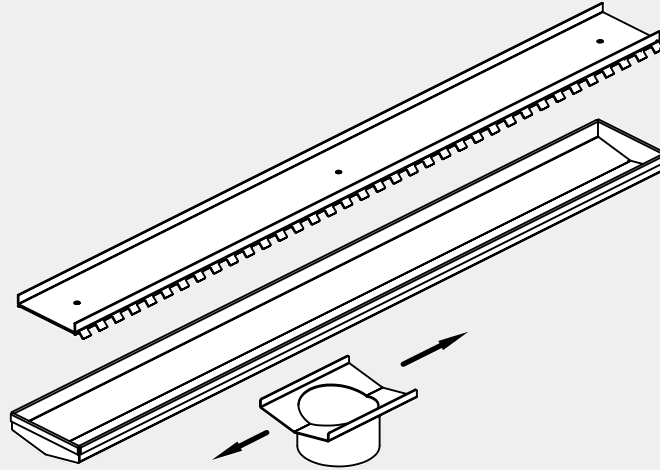


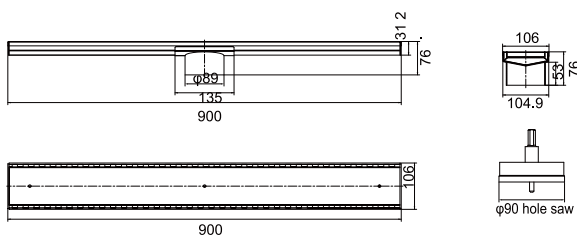
# Tile Insert V Channel Floor Grate 89MM Outlet With Hole Saw

# Nero



Versions:202405

## Drawing



## Specifications

Watermark License  
WM-032203

## Packaging Includes

1x Floor Grate  
1x Hole Saw

## Finish & SKU

- Brushed Nickel  
NRFG001HSBN
- Gun Metal  
NRFG001HSGM
- Brushed Bronze  
NRFG001HSBZ
- Matte Black  
NRFG001HSMB
- Brushed Gold  
NRFG001HSBG

Note:

11.2mm deep insert can accommodate  
up to 10mm tile+adhesive

\*Dimensions are nominal measurements only.

# Nero

