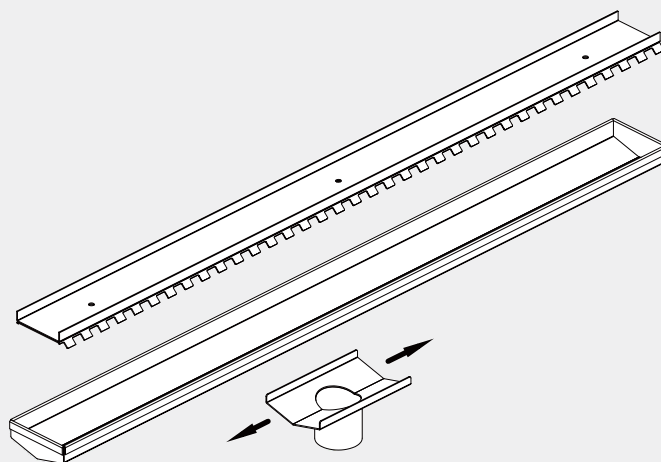


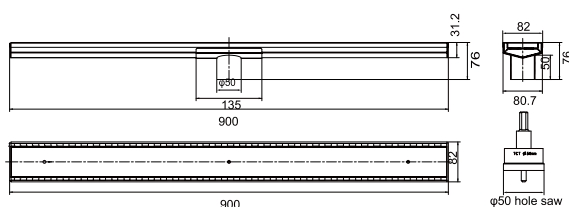
Tile Insert V Channel Floor Grate 50MM Outlet With Hole Saw

Nero



Versions:202401

Drawing



Specifications

Watermark License
WM-032203

Packaging Includes

1x Floor Grate
1x Hole Saw

Finish & SKU

- Brushed Nickel**
NRFG002HSBN
- Gun Metal**
NRFG002HSGM
- Brushed Bronze**
NRFG002HSBZ
- Matte Black**
NRFG002HSMB
- Brushed Gold**
NRFG002HSBG

Note:

11.2mm deep insert can accommodate
up to 10mm tile+adhesive

*Dimensions are nominal measurements only.

Nero

info@nerotapware.com.au
nerotapware.com.au

11-13 Buontempo Road
Carrum Downs Vic 3201

