

Arko 203

Collection: Elevate
Former name: Chios 203



Under counter basin, oval

This oval undermount basin offers classic styling with generous bowl capacity. Suits solid surface benchtops.

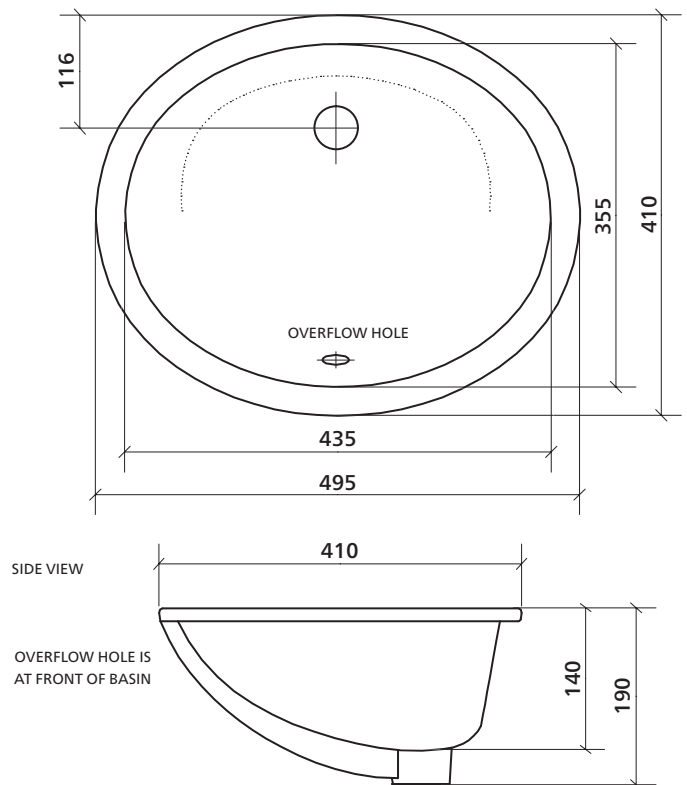
Order codes

191469 Arko 203 basin


Old code: SBC-203B

Product details

TAPHOLE	No taphole.
WASTE	Suits 32 mm waste (not supplied).
CAPACITY	11 litres.
OVERFLOW	Overflow is located at front of basin.
MATERIAL	White vitreous china.
FIXING	Refer to benchtop manufacturer's instructions for fixing basin to benchtop. Use silicone sealant. Do NOT use epoxy type adhesives. Always use the actual basin to verify cutout.



Arko 203

 Basin has integrated overflow.

Premium Basin Wastes (AVAILABLE SEPARATELY)

POP-OUT BASIN WASTE – WITH CERAMIC CAP AND CHROME BASE

192258 Ceramic Pop-out Basin Waste, White Gloss
(Note: Ceramic caps are also available in other colours and finishes)

POP-OUT BASIN WASTE – WITH METAL CAP AND MATCHING BASE

192010 Pop-out Basin Waste – Chrome
192012 Pop-out Basin Waste – Brushed Nickel
192199 Pop-out Basin Waste – Gunmetal
192013 Pop-out Basin Waste – Brushed Gold
192009 Pop-out Basin Waste – White Matte
192011 Pop-out Basin Waste – Black Matte



basin wastes

SEIMA

kitchen + laundry + bathroom ware

seima.com.au

Please note

- All measurements are in millimetres.
- Dimensions are nominal and subject to normal ceramic manufacturing variations of ± 5 mm.
- Wastes, taps and bottle traps shown in images are not included unless specified.
- Fixing: Use silicone sealant. Do not use epoxy type adhesives.
- Always use the actual basin to verify cutout.
- Specifications may vary without notice as part of our continuous improvement practices.
- Clean with a damp cloth. Do not use abrasive cleaners, liquids or pastes.