

Chios 201

Collection: Essential
Former name: Chios 201



Classic oval inset basin

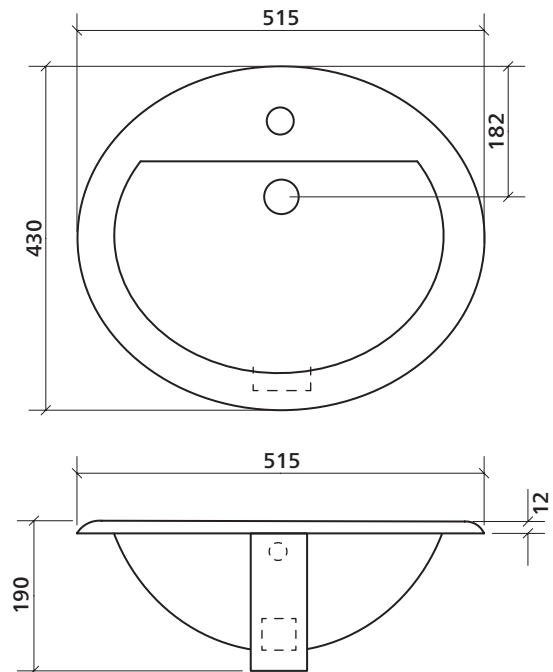
This classic oval inset basin has generous capacity, with the rim sitting on the benchtop and most of the basin sitting under the bench. This contemporary style of basin suits a wide variety of standard benchtops.

Order codes


191467	Chios 201, 1 taphole	Old code: SBC-201
191468	Chios 201, 3 tapholes	Old code: SBC-201-3T

Product details

WASTE	Suits standard 32 mm waste (not supplied).
CAPACITY	5 litres.
OVERFLOW	Overflow is located at front of basin.
MATERIAL	White vitreous china.
FIXING	Always use the actual basin to verify cutout. Use silicone sealant. Do not use epoxy type adhesives.



Chios 201

 Basin has integrated overflow.

Premium Basin Wastes (AVAILABLE SEPARATELY)

POP-OUT BASIN WASTE – WITH CERAMIC CAP AND CHROME BASE

192258 Ceramic Pop-out Basin Waste, White Gloss
(Note: Ceramic caps are also available in other colours and finishes)

POP-OUT BASIN WASTE – WITH METAL CAP AND MATCHING BASE

192010	Pop-out Basin Waste – Chrome
192012	Pop-out Basin Waste – Brushed Nickel
192199	Pop-out Basin Waste – Gunmetal
192013	Pop-out Basin Waste – Brushed Gold
192009	Pop-out Basin Waste – White Matte
192011	Pop-out Basin Waste – Black Matte



basin wastes

SEIMA

kitchen + laundry + bathroom ware

seima.com.au

Please note

- All measurements are in millimetres.
- Dimensions are nominal and subject to normal ceramic manufacturing variations of ± 5 mm.
- Wastes, taps and bottle traps shown in images are not included unless specified.
- Fixing: Use silicone sealant. Do not use epoxy type adhesives.
- Always use the actual basin to verify cutout.
- Specifications may vary without notice as part of our continuous improvement practices.
- Clean with a damp cloth. Do not use abrasive cleaners, liquids or pastes.