

Modia Wall Hung

Collection: Elevate
Former name: Modia Wall Hung



Wall hung toilet suite • Clean Flush

Wall hung pan – details:

- Stylish minimalist design, sits flat against wall
- Clean Flush rimless pan design for an efficient, powerful flush
- White vitreous china
- Easy-clean quick release seat with stainless steel pins, soft closing
- P trap

In-wall cistern with frame – details:

- Hidden cistern activated through a premium pneumatic system connected to the flush plate buttons
- Fully insulated with anti-condensation foam to prevent moisture escape
- Easy to install and service through the flush plate
- WELS 4 star 4.5/3L water saving flush

Order codes

TOILET PAN and seat only (NO CISTERN)

- 191166 Modia WH pan and FLAT seat
- 191964 Modia WH pan and SLIM seat

TOILET SUITE – Standard wall installation – C200 CISTERN

- 191845 Modia WH pan, FLAT seat, C200 in-wall cistern
- 191966 Modia WH pan, SLIM seat, C200 in-wall cistern

TOILET SUITE – Nib wall installation – C201 CISTERN

- 191911 Modia WH pan, FLAT seat, C201 in-wall cistern (nib wall)
- 191965 Modia WH pan, SLIM seat, C201 in-wall cistern (nib wall)

Order flush buttons separately.

Product details

- PAN Wall faced with rimless Clean Flush pan design.
- MATERIAL White vitreous china.
- TRAPS Suitable for P trap installations.
- SEAT Quick release seat with stainless steel hinges, soft closing.
- WELS 4 star rating 4.5/3 litre water saving flush.
- CISTERN Wall hung pan suits in-wall cistern with frame.

Toilet seat options. Our premium toilet seats are made from Thermoset, a rigid, ceramic-like material that is anti-scratch and easy to clean.

Premium Thermoset (UF)



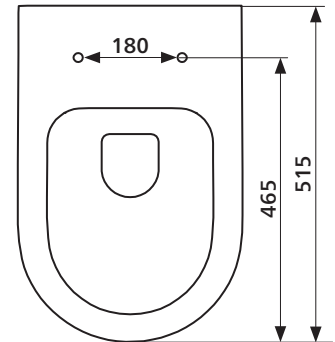
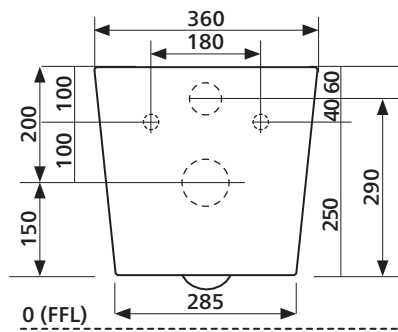
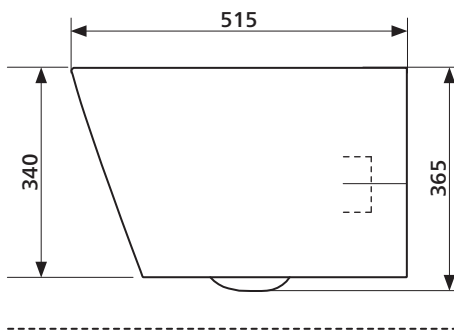
SLIM SEAT

- 20 mm lid profile
- Premium quality
- Easy to clean, anti-scratch
- Rigid, ceramic-like surface
- Made from Thermoset (UF)



FLAT SEAT

- Flat lid and seat
- Premium quality
- Easy to clean, anti-scratch
- Rigid, ceramic-like surface
- Made from Thermoset (UF)



SEIMA

kitchen + laundry + bathroom ware

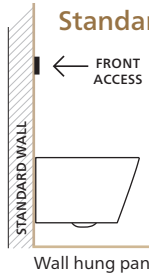
seima.com.au

Please note

- Installation shall be in accordance with AS/NZS3500.
- All measurements are in millimetres. Height dimensions are to base of pan. Make allowance for bedding.
- Bedding: Pan may be bedded with cement base or using silicone sealant. Fix pan to floor using a sand cement mixture of 3:1 to a depth of 60mm. Do not use lime or fast-drying cement.

- Bracket fixing: The pan should be bedded with silicone sealant and fixed with the brackets supplied.
- Do NOT use epoxy type adhesives.
- Dimensions are nominal and subject to normal ceramic manufacturing variations.
- Specifications may vary without notice as part of our continuous improvement practices.
- Clean with a damp cloth. Do not use abrasive cleaners, liquids or pastes.

Installation types for WALL HUNG TOILETS



Standard wall – C200 cistern

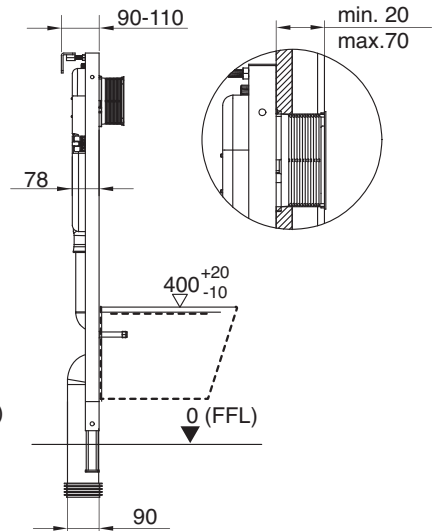
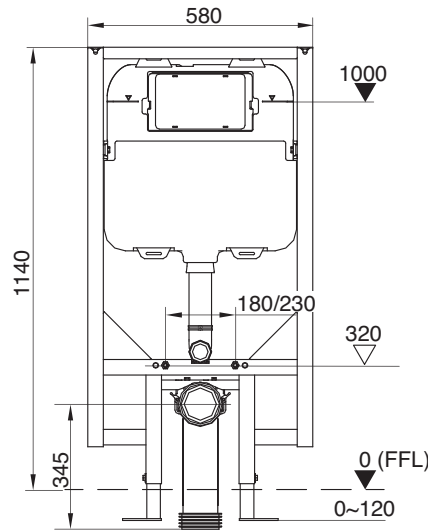
The C200 cistern can be installed within a standard wall, allowing for a cistern thickness of 80 mm. The flush button plate is placed on the wall above the toilet pan (front access). The cistern can be serviced through the flush plate. The C200 cistern can also be used in a nib wall.



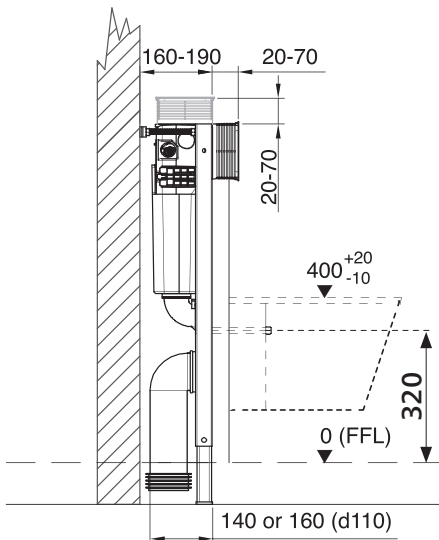
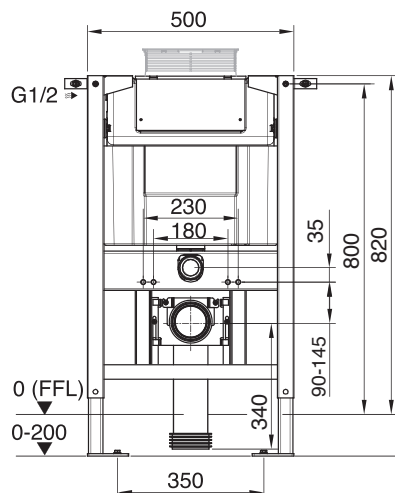
Nib wall – C201 cistern

The C201 cistern can be installed within a nib wall, allowing for a cistern thickness of 130 mm. The flush button plate is placed either on the wall above the toilet pan (for front access) OR on the top of the nib wall (for top access).

MODIA WALL HUNG pan + C200 IN-WALL SLIM cistern



MODIA WALL HUNG pan + C201 IN-WALL UNDERCOUNTER cistern



SEIMA

kitchen + laundry + bathroom ware

seima.com.au

Please note

- Installation shall be in accordance with AS/NZS3500.
- All measurements are in millimetres. Height dimensions are to base of pan. Make allowance for bedding.
- Bedding: Pan may be bedded with cement base or using silicone sealant. Fix pan to floor using a sand cement mixture of 3:1 to a depth of 60mm. Do not use lime or fast-drying cement.

- Bracket fixing: The pan should be bedded with silicone sealant and fixed with the brackets supplied.
- Do NOT use epoxy type adhesives.
- Dimensions are nominal and subject to normal ceramic manufacturing variations.
- Specifications may vary without notice as part of our continuous improvement practices.
- Clean with a damp cloth. Do not use abrasive cleaners, liquids or pastes.