

Oros 550



Collection: Fusion

Arqstone – engineered stone – strong and durable

Arqstone sinks, made in Europe from natural quartz, are extremely tough and resistant to high temperatures, scratching and stains. The high density stone surface is easy to clean and the smooth finish ensures a high level of hygiene.

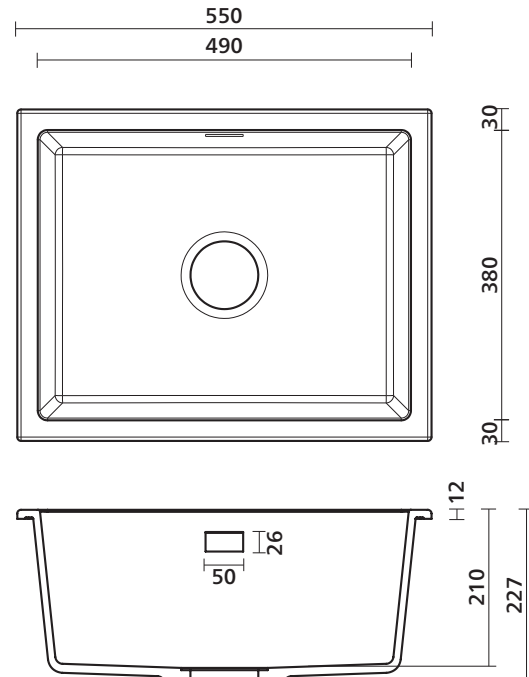
- Square lines, smooth finish, made from pure natural quartz aggregate
- Suits undermount or above-mount installation
- Exceptionally strong and durable
- Deep, large capacity bowl, easy to clean corners, 10mm radii
- Stainless steel basket waste

Order codes

191161 Oros 550, white
191025 Oros 550, black

Products details

SUMMARY Single bowl with integrated overflow
COLOURS Available in Arqstone white and black
OVERFLOW Integrated overflow
WASTE 90 mm stainless steel basket waste
BOWL SIZE 550 x 380 mm, 210 mm deep, rim 30 mm




Arqstone white



Arqstone black



Find out more
about Arqstone

 Sink has integrated
overflow

SEIMA

kitchen + laundry + bathroom ware

seima.com.au

Please note

- All measurements are in millimetres.
- Stone sinks – Dimensions are subject to normal manufacturing variations of ± 3 mm.
- Always use the actual product to verify cutout.
- Use silicone sealant. Do not use epoxy type adhesives.
- Specifications may vary without notice as part of our continuous improvement practices.